

©金盈阀门 版权所有，翻版必究；
●产品若有改动，恕不通知。请用户使用最新版本，金盈阀门 拥有最终解释权；
○因版面有限，欲了解更多产品信息，请来电咨询；
♻️采用生态纸印刷。

丰盈科技 设计|印刷|手机: 13968973718

东莞市金盈阀门自动化科技有限公司

地址：东莞市莞城区八达路新苑横二路7号
电话：0769-22303021
手机：13829158155 15207690708
网站：www.dgvalve.com
邮箱：13829158155@qq.com

Dongguan Jinying Valve Automation Technology Co., Ltd.

Add: No.7, Xinyuanheng 2nd Road, Bada Road,
Guancheng District, Dongguan
Tel: +86-769-22303021
MB: +86 13829158155 +86 15207690708
Http: //www.dgvalve.com
E-mail:13829158155@qq.com

JNYIN[®]

金盈

工业流体控制专家
INDUSTRIAL VALVE FLOW CONTROL
PRODUCT TECHNICAL MANUAL
产品技术手册



东莞市金盈阀门自动化科技有限公司
DONGGUAN JINYING VALVE AUTOMATION TECHNOLOGY CO., LTD.

Company Profile 公司简介

东莞市金盈阀门自动化科技有限公司是集工业自动化控制系统工程、制造、销售、服务于一体的技术公司。专业研发生产：气动（GT、AT）、液动、电动（精小型、防爆型）三大驱动装置及自控阀门配套产品。公司引进技术、设备的基础上，设计制造出高水平的各系列产品，JNYIN金盈阀门产品广泛应用于食品、环保、石油、乳品、啤酒、天然气、造纸、印刷、化工、轻工、电站、冶金、暖通、医药、消防、漂染及水处理等各种管道装置领域。

JNYIN金盈阀门主要产品：不锈钢角座阀、Y型角座阀、气动角座阀、梭阀、隔膜阀、球阀、气动阀门、电动阀门、电动及气动调节阀、真空阀门、不锈钢阀门。

管理与技术日益创新。产品采用现代化CAD三维设计、系统优化设计，不仅外形美观，而且质量可靠、性能稳定、使用寿命长等优点。公司采用精测机床设备、立式加工中心、高精度数控机床，确保产品零部件精密度，而具备批量生产能力。

“立足质量、强化管理、崇尚信誉、顾客至上”是公司经营理念；“精益求精、力求完善”是公司的管理方针；以人为本、团结互信、质量上乘是企业生存之根本，打造先进的企业文化，增强企业的凝聚力；我们将尽心尽力为广大用户提供优良产品，真诚希望各界朋友莅临指导，关心支持JNYIN金盈阀门的发展，让我们为JNYIN金盈阀门共同努力，创造新的辉煌。

Dongguan Jinying Valve Automation Technology Co., Ltd. is a technology company integrating industrial automation control system engineering, manufacturing, sales and service. Professional R & D and production: pneumatic (GT, AT), hydraulic, electric (fine small, explosion-proof) three drive units and automatic control valve accessories. Based on the introduction of technology and equipment, the company designs and manufactures a wide range of products. JNYIN Jinying Valve products are widely used in food, environmental protection, petroleum, dairy beer, natural gas, papermaking, printing, chemical, light industry, power station, metallurgy, plumbing, medicine, fire, bleaching and water treatment and other pipeline installations.

JNYIN Jinying Valve main products: stainless steel angle seat valve, Y-shaped angle seat valve, pneumatic angle seat valve, shuttle valve, diaphragm valve, ball valve, pneumatic valve, electric valve, electric and pneumatic control valve, vacuum valve, stainless steel valve.

Management and technology are increasingly innovative. The product adopts modern CAD three-dimensional design and system optimization design, which not only has beautiful appearance, but also has the advantages of reliable quality, stable performance and long service life. The company adopts precision measuring machine tools, vertical machining centers and high-precision CNC machine tools to ensure the precision of the products and parts, and has the capacity to produce batches.

"Based on quality, strengthen management, advocating credibility, customer first" is the company's business philosophy, "excellence, and strive to improve" is the company's management policy; people-oriented, unity and mutual trust, high quality is the foundation of enterprise survival, to create advanced corporate culture, enhance The cohesiveness of the enterprise; we will do our utmost to provide excellent products for the majority of users. We sincerely hope that friends from all walks of life are on the verge of guidance and care for the development of JNYIN Jinying Valve. Let us work together for JNYIN Jinying Valve to create new glory.

东莞市金盈阀门自动化科技有限公司鸟瞰图



Quality based, sincerity foremost, creating value for customers

质量为本，诚信至上，为顾客创造价值

Production And Testing 生产与检测



金盈将产品质量视为公司的生命，基于此，我们不惜投入大量资金引进现代化的生产设备、建设现代化车间，规范了生产程序，拥有先进的检验和测试设备进行质量控制。检验员高度负责的用心融于每一个部件中，使每一个产品的品质都经得住市场的严格考验。

JNYING regards product quality as the life of company, based on this, we are willing to invest a lot of capital to the introduction of modern production equipments, the construction of modern workshop, the standardization of the production process. We now have advanced inspection and testing equipments for quality control. Highly responsible inspectors devote to every part attentively and make each product quality can stand the strict test in market.



气动三片式球阀
Three type pneumatic ball valve



气动三片式球阀
Three type pneumatic ball valve



气动二片式球阀
Pneumatic type ball valve



气动O型切断球阀
Pneumatic O cut off ball valve



气动软密封蝶阀
Pneumatic sealing butterfly valve



气动对夹式蝶阀
Pneumatic wafer butterfly



气动橡胶软密封蝶阀
Pneumatic rubber sealing butterfly valve



气动消防蝶阀
Pneumatic fire butterfly valve



美标气动球阀
American standard pneumatic ball valve



气动带手动球阀
Pneumatic with manual ball valve



气动固定球阀
Pneumatic fixed ball valve



气动铸钢法兰球阀
Pneumatic cast steel flange ball valve



气动不锈钢板蝶阀
Pneumatic stainless steel butterfly valves



气动对夹式四氟蝶阀
Pneumatic teflon butterfly valve



气动衬氟蝶阀
Pneumatic fluorine butterfly valve



AW 双作用气动蝶阀
AW Double action pneumatic butterfly valve



气动V型切断球阀
Pneumatic V cut off ball valve



气动V型调节球阀
Pneumatic V type adjusting ball valve



高温型气动球阀
High temperature pneumatic ball valve



气动O型固定球阀
Pneumatic type O fixed ball valve



气动不锈钢蝶阀
Pneumatic stainless steel butterfly valve



气动法兰式硬密封蝶阀
Pneumatic flange type hard seal butterfly valve



气动对夹式硬密封蝶阀
Pneumatic clamp hard seal butterfly valve



气动三偏心蝶阀
Pneumatic three eccentric butterfly valve



气动二片式球阀
Pneumatic type ball valve



气动塑料球阀
Pneumatic plastic ball valve



气动铸钢球阀
Pneumatic cast steel ball valve



T型气动三通球阀
T-type Pneumatic tee ball valve



气动塑料蝶阀
Pneumatic plastic butterfly valve



气动粉尘蝶阀
Pneumatic dust butterfly valve



气动水泥蝶阀
Pneumatic cement butterfly valve



气动高真空蝶阀
Pneumatic high vacuum butterfly valve



L型气动三通球阀
L-type Pneumatic tee ball valve



气动三通球阀
Pneumatic tee ball valve



气动高真空球阀
Pneumatic high vacuum ball valve



气动真空内螺纹球阀
Pneumatic vacuum internal screw ball valve



气动通风蝶阀
Pneumatic ventilation butterfly valve



气动带手动蝶阀
Pneumatic with manual butterfly valve



开关型气动蝶阀
Switch type pneumatic butterfly valve



气动铸铁软密封蝶阀
Pneumatic cast iron soft seal butterfly valve



气动超薄型球阀
Pneumatic ultra-thin ball valve



气动保温球阀
Pneumatic insulated ball valve



气动衬氟球阀
Pneumatic fluorine lined ball valve



气动卫生级球阀
Pneumatic sanitary ball valve



气动凸耳对夹式蝶阀
Pneumatic lug wafer butterfly



气动高压球阀
Pneumatic high pressure ball valve



高温一体式球阀
High temperature integral ball valve



气动PVC球阀
Pneumatic PVC ball valve



GT 系列气动执行器
GT Series pneumatic actuators



GTD 双作用气动执行器
GTD Dual action pneumatic actuator



GTE 单作用气动执行器
GTE Single acting pneumatic actuator



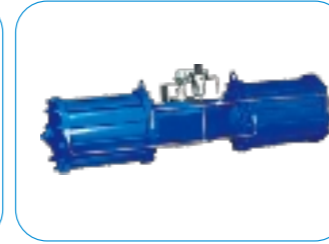
AT 系列气动执行器
AT Series pneumatic actuators



AT 双作用气动执行器
AT Double acting pneumatic actuator



SR 单作用气动执行器
SR Single acting pneumatic actuator



AW 系列气动执行器
AW Series pneumatic actuators



AFR 过滤减压阀
AFR Filter pressure relief valve



AFC2000 气源处理二联件
AFC2000 Air handling duplex



FESTO 气源处理二联件
FESTO Air handling duplex



AC 2000 气源处理三联件
AC2000 Air source treatment triad



4V310-10 电磁阀
4V310-10 Solenoid valve



电磁换向阀
Electromagnetic directional valve



4M310 防爆型电磁阀
4M310 Explosion-proof solenoid valve



ASCO551 电磁阀
ASCO551 Solenoid valve



APL210N 限位开关
APL210N Limit switch



APL310N 限位开关
APL310N Limit switch



APL410N 防爆型回信器
APL410N Explosion-proof type to reply



ITS100 限位开关
ITS100 Limit switch



ITS300 防爆型限位开关
ITS300 Explosion-proof limit switch



ALS10 限位开关
S10 Limit switch



YTC 阀门定位器
YTC Valve positioner



西门子定位器
Siemens locator



手动执行机构
Hand actuator



气动快装蝶阀
Pneumatic quick install butterfly valve



气动快装球阀
Pneumatic fast ball valve



气动快装三通球阀
Pneumatic quick installation tee ball valve



气动丝扣三通球阀
Pneumatic screw thread tee ball valve



气动法兰闸阀
Pneumatic flange gate valve



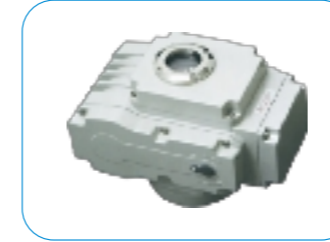
气动闸阀
Pneumatic valve



气动截止阀
Pneumatic globe valve



精小型气动调节阀
Fine small pneumatic control valve



开关型电动执行器
Switch type electric actuator



无源触点型电动执行器
Passive contact type electric actuator



智能调节型电动执行器
Intelligent regulating electric actuator



防爆型电动执行器
Explosion-proof electric actuator



电动不锈钢球阀
Electric stainless steel ball valve



电动三片式球阀
Three type electric ball valve



电动软密封蝶阀
Electric soft seal butterfly valve



电动法兰式蝶阀
Electric flange butterfly valve



电动PVC球阀
Electric PVC ball valve



电动PVC球阀
Electric PVC ball valve



PM 电动执行器
PM Electric actuator



PM 电动执行器
PM Electric actuator



电动球阀
Electric ball valve



电动球阀
Electric ball valve



电动软密封闸阀
Electric soft seal gate valve



调节模块
Adjust the module



目录

CONTENTS

角座阀系列 Pneumatic angle seat valve series -----	01
Q5 系列气动角座阀 Q5 Series pneumatic angle seat valve -----	02
Q3 系列气动角座阀 Q3 Series pneumatic angle seat valve -----	03
G3系列气动灌装阀 G3 Series pneumatic filling valve -----	04/05
腰鼓形切断阀 Drum-shaped shut-off valve -----	06
不锈钢气控阀 Q22HD Stainless steel pneumatic valve Q22HD -----	07
黄铜气控阀 Q22HD Brass pneumatic valve Q22HD -----	08
气控连体阀 Pneumatic manifold valve -----	09
三通气控角座阀 Three way angle seat valve -----	10/11
D7系列手动隔膜阀 D7 Series manual diaphragm -----	12
D5系列气动隔膜阀 D5 Series pneumatic diaphragm valve -----	13
PVDF气动塑料隔膜阀 PVDF Pneumatic plastic diaphragm valve -----	14
扇形蝶阀 Sector butterfly valve -----	15
ZMQ气动紧急切断阀 ZMQ Pneumatic emergency shut-off valve -----	16
气动软密封蝶阀 Pneumatic soft seal butterfly valve -----	17
气动衬氟蝶阀 Pneumatic fluorine butterfly valve -----	18
气动硬密封蝶阀 Pneumatic hard seal butterfly valve -----	19
气动通风蝶阀 Pneumatic ventilation butterfly valve -----	20
气动高真空蝶阀 Pneumatic high vacuum butterfly valve -----	21
气动PVC蝶阀 Pneumatic PVC butterfly valve -----	22
气动快装蝶阀 Pneumatic quick install butterfly valve -----	23
气动快装球阀 Pneumatic quick loading ball valve -----	24
气动快装三通球阀 Pneumatic quick installation of three ball valve -----	25
气动丝扣球阀 Pneumatic screw ball valve -----	26
气动丝扣三通球阀 Pneumatic screw thread tee ball valve -----	27
气动高压球阀 Pneumatic high pressure ball valve -----	28
高温一体式球阀 High temperature one-piece ball valve -----	29
气动O型切断球阀 Pneumatic o cut off ball valve -----	30
气动薄型球阀 Pneumatic thin ball valve -----	31
气动V型切断球阀 Pneumatic v cut off ball valve -----	32
气动三通球阀 Pneumatic tee ball valve -----	33
气动高真空球阀 Pneumatic high vacuum ball valve -----	34
气动PVC球阀 Pneumatic PVC ball valve -----	35
气动法兰闸阀 Pneumatic flange gate valve -----	36
气动刀闸阀 Pneumatic knife gate valve -----	37
电动软密封蝶阀 Electric soft seal butterfly valve -----	38
电动法兰软密封蝶阀 Electric flange soft seal butterfly valve -----	39
电动快装蝶阀 Electric quick - attach butterfly valve -----	40
电动PVC蝶阀 Electric PVC butterfly valve -----	41
电动快装球阀 Electric quick-load ball valve -----	42
电动快装三通球阀 Electric quick fit tee ball valve -----	43
电动高温球阀 Electric high temperature ball valve -----	44
电动高压球阀 Electric high pressure ball valve -----	45
电动O型球阀 Electric O ball valve -----	46
电动三通法兰球阀 Electric tee flange ball valve -----	47
电动三片式球阀 Electric three - piece ball valve -----	48
电动三通丝扣球阀 Electric three-way screw ball valve -----	49
电动PVC球阀 Electric PVC ball valve -----	50

T型气动角座阀 Angle Seat Valve(T-type)

Q5-T系列二位二通流体控制阀是我公司开发的一种新颖控制阀，该阀启动压力低，关闭灵敏度高，密封性能好，不漏水，广泛应用于食品、纺织、医药、工业洗涤设备、化工等行业。

The Q5-T Series 2-position 2-way fluid control valve is a novel control valve developed by our company, The valve is low in starting pressure, highly flexible in open and close, good in sealing property and without the water leakage.



Y型手动角座阀

Y-Type Manual Angle Seat Valve

技术参数 Technical Data

公称通径: DN10~65(3/8"~2-1/2")
管道压力: 0~1.6MPa
介质: 蒸汽、气体、液体、粘或腐蚀性流体
介质温度: -20~+200℃ 环境温度: -10~+80℃
阀体材质: 不锈钢304或316
密封材料: 高档进口PTFE(聚四氟乙烯)
优点: 免维护, 易安装, 低耗能, 流量大, 流阻小, 无水锤

Nominal diameter: DN10~65(3/8"~2-1/2")
Pipeline pressure: 0~1.6MPa
Media: steam, gas, liquid, viscous or corrosive fluid
Medium temperature: -20~+200℃ Environment temperature: -10~+80℃
Body material: stainless steel 304 or 316
Sealing material: High-grade imported PTFE
Advantages: maintenance-free, easy installation, low energy consumption, large flow, small flow resistance, no water hammer



磁感应开关系列 Proximity Switch

适用于所有口径角座阀，用来检测阀门开关状态，反馈阀门启闭信号。
Switch can be installed on every actuator, indicating the valve on-off with signal.

技术参数 Technical Data

电压: 10~30V DC
防护等级: IP67
检测距离: 3mm ± 10%(可另选)
环境温度: -25~70℃
材料: 壳体: 黄铜镀镍, 检测面: ABS

Voltage: 10~30V DC
Protection class: IP67
Detection distance: 3mm ± 10%(Optional)
Environmental temperature: -25~70℃
Material: Shell: Brass nickel plating, detection: ABS



电磁阀系列 Solenoid Valve

适用于所有口径角座阀，可接2位5通或2位3通电磁阀。
Applies to all caliber angle seat valve, which can be accessed through two five or two 3-way solenoid valve.

技术参数 Technical Data

使用流体: 空气(经40微米滤芯过滤)
接口: G1/8
使用电源: 24V DC或220V AC
使用压力: 0.15~0.8MPa
工作温度: -5~50℃
防护等级: IP65

Fluid used: Air (Filtered with a 40 micron filter)
Interface: G1/8
Power supply: 24V DC or 220V AC
Operating pressure: 0.15~0.8MPa
Working temperature: -5~50℃
Protection level: IP65



手动操作行程限位系列

Manual Override For Stroke Actuator

可调节活塞开度，限制行程，调节阀门流量，适用于所有型号的角座阀，另外在无控制气源、机械(电磁)故障时还可用来紧急制动。

Can adjust piston stroke, restrictions, regulating valves, applicable to all types traffic block valves, another hom of air without control in mechanical (electromagnetic) failure can also be used to emergency braking.



特点 Advantages

外部先进导角座阀，溢流口与滑块间有自动调节密封压盖，阀体角座结构可实现较大流量，特别是与普通截止阀相比时。

External advanced Angle, especially compare with the normal globe valves seat valve, there is adjustment sealing gland between over flow drain and slider, body structure can enforce more flow rate, especially compare with the normal globe valves.

技术参数 Technical Data

压力范围: 0~16bar
介质温度: -10℃~+180℃
环境温度: -10℃~+60℃
阀体材料: 不锈钢
密封材料: 聚四氟乙烯
执行机构外壳: 聚酰胺
介质: 中性气体、空气、水

Pressure range: 0~16bar
Medium temperature: -10℃~+180℃
Environmental temperature: -10℃~+60℃
Body material: Stainless steel
Sealing material: PTFE
Actuator material: PA
Medium: Neutral gas, Air, Water

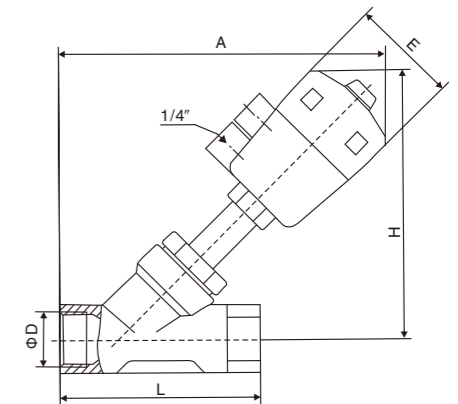
选取 Option

控制功能: (双向或单向)可选类型: 常开型、常闭型
执行机构外壳适用于环境温度: +5℃~+130℃
无复位弹簧双作用执行机构
电子式位置反馈
独立可调行程极限, 适于高低流量
手动应急开关
先导阀适用的 Namur适配器

Control function: Optional: normally open, normally closed
Actuator material suitable for environmental temperature: +5℃~+130℃
No return spring double acting actuators
Electronic position feedback
Independent adjustable stroke limit, suitable for high low flow schedule
Manual emergency switch
Pilot valve suitable Namur adapter

主要外形连接尺寸 Main Outline Connection Dimension

型号 Model	规格 Specifications D	执行器 Actuator mm	L	A	H	E	H5-L	K5-L	K5-ΦD	F5-L
DN10	3/8"	Φ50	68	165	120	64	-	120	50.5	-
DN15	1/2"	Φ50	85	172	137	64	120	120	50.5	120
DN20	3/4"	Φ50	95	178	145	64	130	140	50.5	130
DN25	1"	Φ50	100	210	165	64	140	160	50.5	140
DN32	1-1/4"	Φ63	118	220	180	80	150	175	50.5	150
DN40	1-1/2"	Φ63	125	228	190	80	180	190	64.0	180
DN50	2"	Φ80	145	268	245	100	195	210	77.5	195
DN65	2-1/2"	Φ80	185	282	300	100	230	225	77.5	230
DN80	3"	Φ100	210	368	340	126	250	255	91.0	250
DN100	4"	Φ125	235	420	395	156	280	280	119	280



特点 Advantages

流量大、流阻小、无水锤
Y型设计，增加30%流量
阀杆自动校正，自润滑，免维护
气缸采用不锈钢材质，在恶劣的环境中更加优秀，可360°旋转。

Large flux, low resistance, No water-hammer
Y-type shape enlarged the flowing section
which could raise the flux by 30% and make flow more smooth
Super long life, which help the stem adjust and lubricate itself automatically.
The cylinder material is stainless steel lubricating automatically, 360° rolling freely.

技术参数 Technical Data

压力范围: 0-16bar
介质温度: -10℃~+180℃
环境温度: -10℃~+60℃
阀体材料: 不锈钢
密封材料: 聚四氟乙烯
执行机构外壳: 不锈钢
介质: 中性气体、空气、水

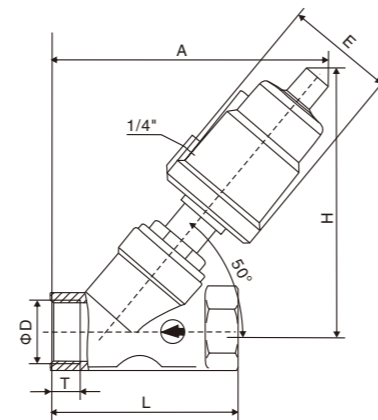
Pressure range: 0-16bar
Medium temperature: -10℃~+180℃
Environmental temperature: -10℃~+60℃
Body material: Stainless steel
Sealing materia: PTFE
Actuator materia: SS304
Medium: Neutral gas, air, water



选取 Option

控制功能: (双向或单向)可选类型: 常开型、常闭型
执行机构外壳适用于环境温度: +5℃~+130℃
双作用执行机构
电子式位置反馈
独立可调行程极限, 适于高低流量
先导阀适用的Namur适配器

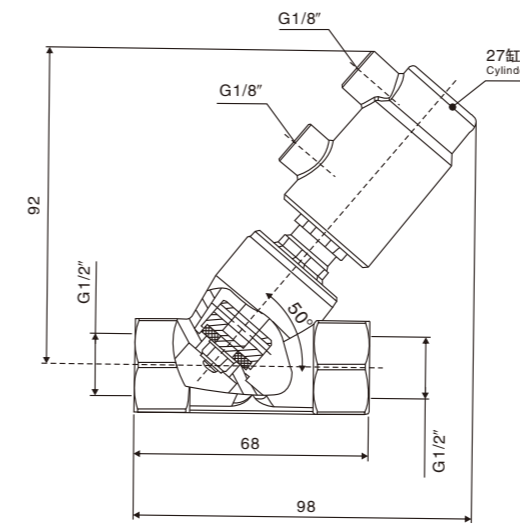
Control functions: Optional: normally open, normally closed
Actuator material suitable for environmental temperature +5℃~+130℃
Double acting actuators
Electronic position feedback
Independent adjustable stroke limit, suitable for high-low flow schedule
Pilot valve suitable Namur adapter



主要外形连接尺寸 Main Outline Connection Dimention

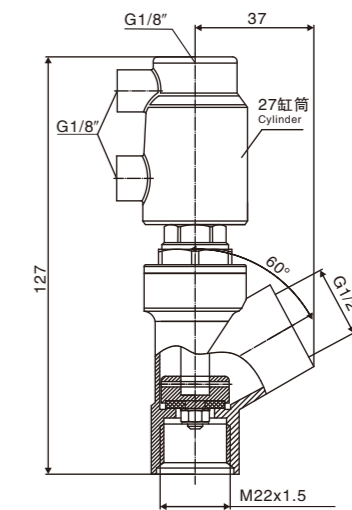
型号 Type	规格 Specifications D	执行器 Actuator mm	L	A	H	E	H3-L	K3-L	K3-ΦD	F3-L
DN10	3/8"	Φ40	68	124	112	50	-	120	50.5	-
DN15	1/2"	Φ50	68	133	126	62	120	120	50.5	120
DN20	3/4"	Φ50	75	137	131	62	130	140	50.5	130
DN25	1"	Φ50	90	174	165	62	140	160	50.5	140
DN32	1-1/4"	Φ63	110	188	175	76	150	175	50.5	150
DN40	1-1/2"	Φ63	115	190	178	76	180	190	64.0	180
DN50	2"	Φ63	135	215	225	76	195	210	77.5	195
DN65	2-1/2"	Φ80	185	252	280	96	230	225	77.5	230
DN80	3"	Φ100	210	280	320	144	250	255	91.0	250
DN100	4"	Φ100	235	350	320	144	280	280	119	280

G3-A



DN15灌装阀-A
DN15 filling valve -A

G3-B



DN15立式灌装阀-B
DN15 vertical filling valve -B

特点 Advantages

本阀门采用精致型设计, 各部件均采用不锈钢制造, 外观精美, 部件轻巧, 结构紧凑, 阀芯部位采用活动式结构, 可自行校正, 密封性能优良。

Compact design, could be assembled in a small space Movable seat, which have perfect sealing.

技术参数 Technical Data

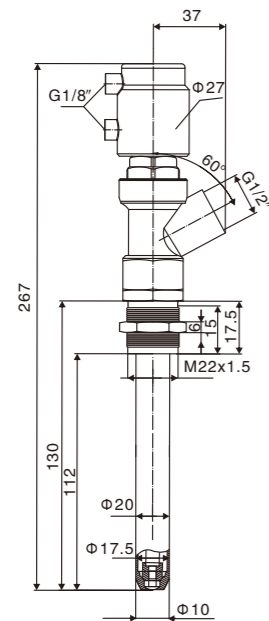
控制形式: 双作用常闭型, 双作用自由态
双作用常闭型: 管道压力0-0.7MPa 控制压力: 0.38-0.42MPa
双作用自由态: 管道压力0-0.7MPa 控制压力: 0.3-0.35MPa
控制介质: 经过滤的压缩空气
阀体材质: CF8或CF8M
密封材料: PTFE
介质温度: -10℃~+120℃
连接形式: 螺纹式

Control form: double acting normally closed type, double acting free state
Double-acting normally closed type: pipe pressure:0-0.7MPa
control pressure: 0.38-0.42MPa

Dual acting free state: pipe pressure:0-0.7MPa
control pressure: 0.3-0.35MPa

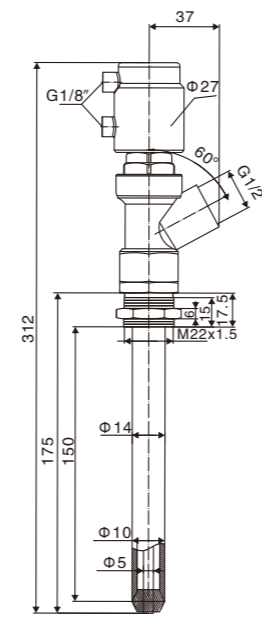
Control medium: filtered compressed air
Body material: CF8 or CF8M
Sealing material: PTFE
Medium temperature: -10℃ to +120℃
Connection type: thread type

G3-C



DN15加长型灌装阀-C
DN15 extended filling valve -C

G3-D



DN15加长型灌装阀-D
DN15 extended filling valve -D

特点 Advantages

广泛应用于灌装机械，尤其适用于粘稠、膏状及容易起泡沫的液体灌装；灌装速度快，精准稳定；精致小巧，便于排管布局；灌装头底部特殊的密封设计，可以实现灌装无滴漏；灌装头底部倒角结构，具有导向定位作用，可下潜灌装。

This valve is widely used on drinks filling machinery. The long filling gun is specially designed for high viscosity fluid. Fast filling, accurate and steady performance. Compact design, could be assembled in a small space. No dripping during working, because of special sealing design.

技术参数 Technical Data

双作用常闭型：
管道压力0-0.7MPa，控制压力：0.38-0.42MPa
双作用自由态：
管道压力0-0.7MPa，控制压力：0.3-0.35MPa
阀体材质：CF8或CF8M
密封材料：PTFE
介质温度：-10℃~+120℃

Double acting(with spring)
Fluid pressure: 0~0.7MPa, Control pressure: 0.38MPa~0.42MPa
Double acting (no spring):
Fluid pressure: 0~0.7MPa, Control pressure: 0.3~0.35MPa
Body material:CF8 or CF8M
Sealing material:PTFE
Fluid temperature:-10℃~+120℃

特点 Advantages

- 1、结构紧凑、重量轻、流量大、成本低;
- 2、使用寿命是薄膜型切断阀的10倍;
- 3、气管接口可360° 旋转、阀头可拆卸;
- 4、免维护密封(进口密封圈)

控制功能：(双向或单向)可选类型：常开型、常闭型
控制压力：0.2-0.5MPa
介质温度：-10℃-220℃
环境温度：-10℃-80℃
体制气体：中性气体、空气

- 1, Compact structure, light weight, large flow, low cost;
- 2, Service life is 10 times of the film type cut-off valve;
- 3, The trachea interface can be 360° rotation, valve head removable;
- 4, Maintenance-free seal (imported seal ring)

Control function :(bidirectional or unidirectional) optional type: normally open type, normally closed type
Control pressure: 0.2-0.5MPa
Medium temperature: - 10℃ to 220℃
Ambient temperature: - 10℃ to 80℃
System gas: neutral gas, air

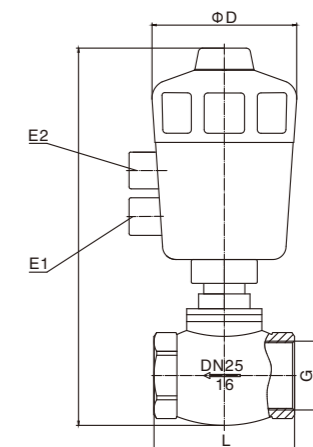
适用范围 Scope Of Application

可替代薄膜型切断阀、气体、干燥设备、石油化工、水处理、染整、泡塑机械等。

It can replace membrane type cut-off valve, gas, drying equipment, petrochemical industry, water treatment, dyeing and finishing, Plastic machinery and so on.

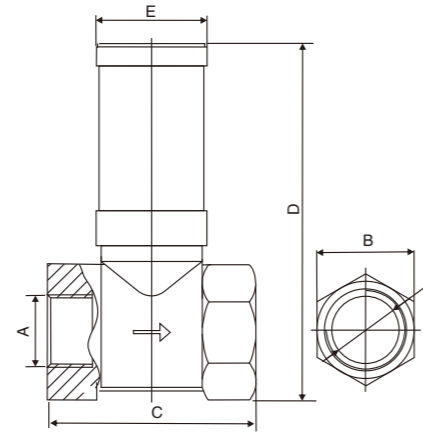


腰鼓形切断阀DN15-100
Waist drum cut off valve DN15-100



主要外形连接尺寸 Main Outline Connection Dimention

阀体材质 Body material	丝口式内孔 Threaded inner boreDN	执行机构尺寸 Actuator size ΦD(mm)	阀体长度 Body length L(mm)	Kv值 Value (m ³ /n)	最高温度下管道压力 Pipe pressure at highest temperature	先导压力 Pilot pressure	控制压力 Control pressure	流向 Flow direction
CF8	DN15	Φ50	54	3.9	180° ≤16bar	3	2.5-5	阀座下方 Underseat
CF8	DN20	Φ50	63	7.5	180° ≤16bar	3	2.5-5	阀座下方 Underseat
CF8	DN25	Φ50	75	17	180° ≤16bar	3	2.5-5	阀座下方 Underseat
CF8	DN32	Φ63	85	25	180° ≤16bar	3.5	2.5-5	阀座下方 Underseat
CF8	DN40	Φ63	99	40	180° ≤16bar	3.5	2.5-5	阀座下方 Underseat
CF8	DN50	Φ63	114	50	180° ≤16bar	4	2.5-5	阀座下方 Underseat
CF8	DN65	Φ80	129	65	180° ≤16bar	4	2.5-5	阀座下方 Underseat
CF8	DN80	Φ100	200	110	180° ≤16bar	4	2.5-5	阀座下方 Underseat
CF8	DN100	Φ100	230	135	180° ≤16bar	4	2.5-5	阀座下方 Underseat

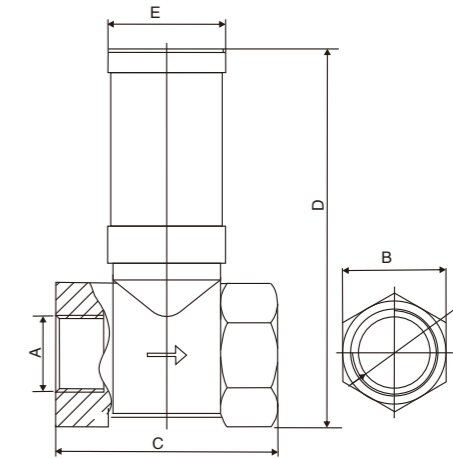


技术参数 Technical Data

阀体/执行器材质 Body/actuator material	阀体、连接件和执行器为不锈钢材质 The valve body, fittings and actuator are made of stainless steel						
运动方式 Movement way	活塞直动式 The piston is in direct motion						
介质 Medium	空气, 水, 油, 蒸汽, 以及任何中性气体 Air, water, oil, steam, and any neutral gas						
接管口径 Pipe diameter	G1/2"	G3/4"	G1"	G1-1/4"	G1-1/2"	G2"	G2-1/2"
通径 Size	13	16	22	32	35	45	55
Kv(m³/h)	4	5	10	20	25	40	50
使用压力范围MPa Use pressure range MPa	0~0.8	0~0.8	0~0.8	0~0.8	0~0.8	0~0.8	0~0.8
最小控制压力MPa Minimum control pressure MPa	0.30	0.30	0.32	0.30	0.35	0.32	0.35
媒介温度 The medium temperature	NBR(-10~80℃)			EPDM,VITON(-10~150℃)			

主要外形连接尺寸 Main Outline Connection Dimension

接管口径 Pipe diameter	DN (mm)	执行器尺寸 Actuator size (mm)	A	B	C	D	E
1/2"	DN15	25	G1/2"	27	55	108	32
3/4"	DN20	32	G3/4"	33	65	112	32
1"	DN25	32	G1"	42	75	136	38
1-1/4"	DN32	40	G1-1/4"	49	85	156	55
1-1/2"	DN40	50	G1-1/2"	57	99	167	55
2"	DN50	63	G2"	68	115	192	68
2-1/2"	DN65	80	G2-1/2"	87	129	235	80

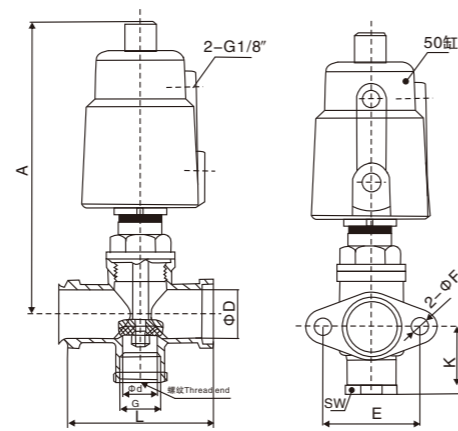
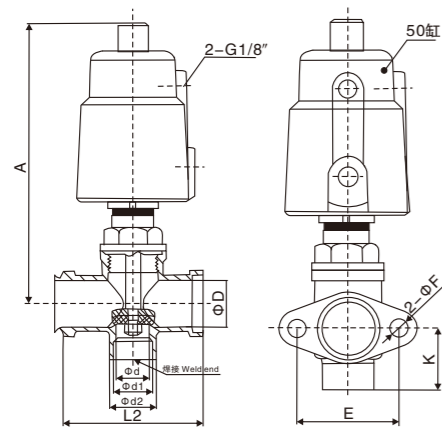
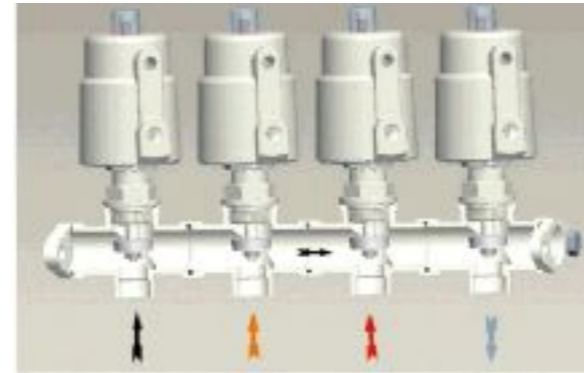


技术参数 Technical Data

阀体/执行器材质 Body/actuator material	阀体为铜, 连接件和执行器为铝合金 The valve body is made of copper and the connectors and actuators are made of aluminum					
运动方式 Movement way	活塞直动式 The piston is in direct motion					
介质 Medium	空气, 水, 油, 蒸汽, 以及任何中性气体 Air, water, oil, steam, and any neutral gas					
接管口径 Pipe diameter	G1/2"	G3/4"	G1"	G1-1/4"	G1-1/2"	G2"
通径 Size	13	16	22	32	35	45
Kv(m³/h)	4	5	10	20	25	40
使用压力范围MPa Use pressure range MPa	0~0.8	0~0.8	0~0.8	0~0.8	0~0.8	0~0.8
最小控制压力MPa Minimum control pressure MPa	0.30	0.30	0.32	0.30	0.35	0.32
媒介温度 Medium temperature	NBR(-10~80℃)			EPDM,VITON(-10~150℃)		

主要外形连接尺寸 Main Outline Connection Dimension

接管口径 Pipe diameter	DN (mm)	执行器尺寸 Actuator size (mm)	A	B	C	D	E
1/2"	DN15	25	G1/2"	26	46	96	30
3/4"	DN20	32	G3/4"	32	54	108	37
1"	DN25	32	G1"	34	66	118	37
1-1/4"	DN32	40	G1-1/4"	53	80	162	45
1-1/2"	DN40	50	G1-1/2"	54	80	162	55
2"	DN50	63	G2"	66	105	180	68



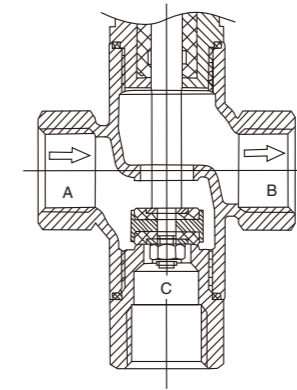
主要外形连接尺寸 Main Outline Connection Dimension

规格 Size	A	K	L	D	d	d1	d2	ΦE	2-ΦF	焊接 Weldend	
										流量值 Kv(m³/h)	重量(Kg) weight
DN20	153	30	76	25	18	21	25	50	8.5	8.1	1.2
DN25	153	36	90	32	24	27	32	57	8.5	14.8	1.6

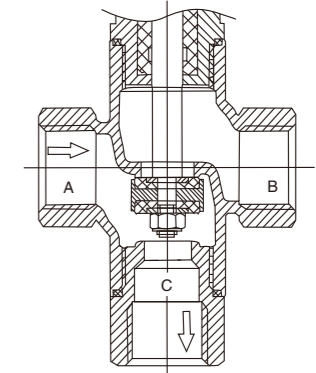
规格 Size	A	K	L	D	d	G	SW	ΦE	2-ΦF	螺纹 Thread end	
										流量值 Kv(m³/h)	重量(Kg) weight
DN15	153	35	76	25	18	1/2"	27	50	8.5	8.1	1.2
DN25	153	46	90	32	24	1"	39	57	8.5	14.8	1.6

技术参数 Technical Data

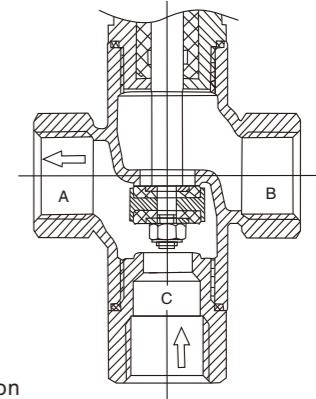
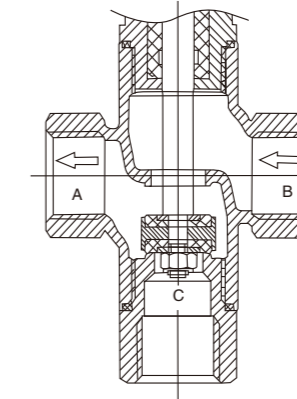
管道压力 Fluid pressure	0-1.6MPa
控制压力 Control Pressure	0.3-0.8MPa
阀门特点 Advantages	阀门阀体结构采用三通连接方式，可实现快速的整齐排管，外形轻巧，结构紧凑，性能优良。混料、连接方便 3-Way body; Assembly easily and save space; Best choice for fluid mixing
控制介质 Control Fluid	中性气体或空气 Neutral gas, Air
密封材料 Seals Material	PTFE
适用介质 Applicable Fluid	水、油、气、等介质 Water, Oil, Air and other liquid
介质温度 Fluid Temperature	-10℃~+180℃ 25℃~220℃
环境温度 Ambient Temperature	-10℃~+80℃
连接形式 Connection Type	法兰式 Flanged
控制形式 Control Type	单作用常闭，双作用常闭，双作用自由态 Normally closed, Double acting with spring, Double acting



换向功能
Reversing



混合功能
Mixed function



工作原理 Function Principle

本阀门共有三处通孔，可实现换向分流或混合功能，在一定程度上可替代两只两通截止阀。阀门在非工作状态时，由于弹簧力的作用，阀门C端常闭，B端常开；当执行器活塞被压缩气体作用时，阀门C端打开，B端关闭。双作用形式时，靠压缩空气控制阀门开启与关闭。

The valve has three ports, which can be reversing and mixed function to replace two pieces globe valves. When the valve is in non-working condition, the valve C port is often closed due to the force of spring. When the actuator piston is compressed, the valve C port is opened and the B port is closed. When double acting, the valve opens and closes with compressed air.

技术参数 Technical Data

工作压力: Max1.6MPa
控制压力: 0.3-0.8MPa
控制介质: 中性气体或空气
阀体材料: CF8M
气缸材料: CF8
密封材料: PTFE
介质温度: -10℃~+180℃
环境温度: -10℃~+80℃
控制形式: 单作用常闭, 双作用常闭, 双作用自由态
连接形式: 螺纹式、快装式
适用介质: 水、蒸汽、油、中性气体或液体, 有机溶剂, 酸碱溶液等

Work pressure: Max1.6MPa
Control pressure: 0.3-0.8MPa
Control fluid: Neutral gas or air
Body material: CF8M
Actuator material: CF8
Sealing material: PTFE
Fluid temperature: -10℃ to +180℃
Ambient temperature: -10℃ to +80℃
Control type: Normally closed, Double acting with spring, Double acting
Connection: Thread, Tri-clamp
Applicable fluid: Water, steam, oil, neutral gas or liquid, organic solvent acid base solution, etc

主要外形连接尺寸

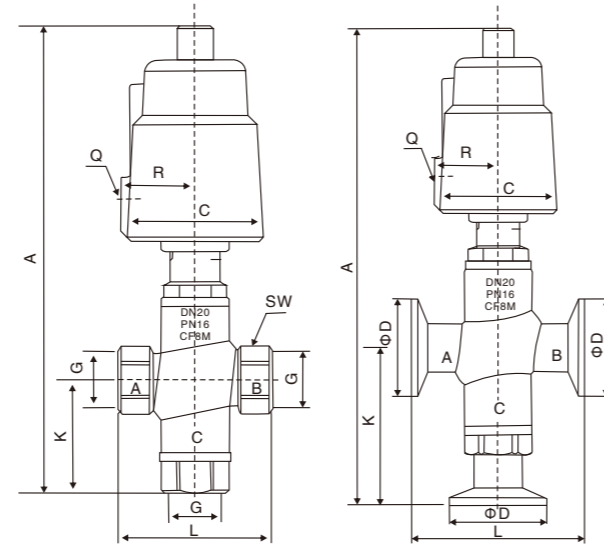
Main Outline Connection Dimension

螺纹式 Thread type

规格 Size	执行器 Actuator	Q	C	R	G	A	K	L	SW	重量(kg) Weight
DN15	40	G1/8	50.5	27	1/2"	195	50	68	27	0.91
DN20	50	G1/8	60	33	3/4"	230	60	75	32	1.25
DN25	50	G1/8	60	33	1"	242	68	90	40	1.64

快装式 Tri-clamp type

规格 Size	执行器 Actuator	Q	C	R	D	A	K	L	重量(kg) Weight
DN15	40	G1/8	50.5	27	34	223	80	90	0.99
DN20	50	G1/8	60	33	50.5	246	80	90	1.48
DN25	50	G1/8	60	33	50.5	262	90	100	1.78



压力参数 Pressure Data

配置1: 单作用正向弹簧 Type 1: Single acting, with Normal Spring

规格 Size	执行器 Actuator	接口 Interfaces	内孔 Inner hole	流量值 Flow value KV (m³/h)		压差范围 Differential pressure range ΔP(MPa)A→B/A→C	压差范围 Differential pressure range ΔP(MPa)C→A	控制压力 Control the pressure (MPa)
				A→B	A→C			
DN15	40	1/2"	14	4.1	4.9	0-1.6	1.2	0.4-0.6
DN20	50	3/4"	18	5.8	6.5	0-1.6	0.8	0.3-0.5
DN25	50	1"	24	13.9	14.4	0-1.4	0.4	0.3-0.65

配置2: 单作用反向弹簧 Type 2: Single acting, with Strong Spring

规格 Size	执行器 Actuator	接口 Interfaces	内孔 Inner hole	流量值 Flow value KV (m³/h)		压差范围 Differential pressure range ΔP(MPa)A→B/A→C	压差范围 Differential pressure range ΔP(MPa)C→A	控制压力 Control the pressure (MPa)
				A→B	A→C			
DN15	40	1/2"	14	4.1	4.9	0-1.6	1.2	0.4-0.6
DN20	50	3/4"	18	5.8	6.5	0-1.6	1.4	0.45-0.65
DN25	50	1"	24	13.9	14.4	0-1.1	0.6	0.45-0.65

配置3: 双作用正向弹簧 Type 3: Double acting, with Normal Spring

规格 Size	执行器 Actuator	接口 Interfaces	内孔 Inner hole	流量值 Flow value KV (m³/h)		压差范围 Differential pressure range ΔP(MPa)A→B/A→C	压差范围 Differential pressure range ΔP(MPa)C→A	控制压力 Control the pressure (MPa)
				A→B	A→C			
DN15	40	1/2"	14	4.1	4.9	0-1.6	1.6	0.4-0.6
DN20	50	3/4"	18	5.8	6.5	0-1.6	1.6	0.3-0.5
DN25	50	1"	24	13.9	14.4	0-1.4	1.4	0.3-0.65

概述 Overview

驱动方式: 手动, 带有闭合限位装置

最大工作压力: 10bar(隔膜为乙丙橡胶或氟化橡胶)6bar(隔膜为聚四氟乙烯)

最大工作温度: 150°C(根据使用条件)

隔膜材料: 乙丙橡胶、氟化橡胶、聚四氟乙烯

阀体材料: 不锈钢1.4435=316L

接口方式: 快装接口见下表。

其他接口方式: 焊接、法兰、螺纹

制造标准: GB、DIN、ISO、SMS

Driving way: Manual, with closed pneumatic device

Max pressure: 10bar(diaphragm is EPDM or EPM), 6bar(diaphragm is PTFE)

Max temperature: 150°C(According to the conditions of use)

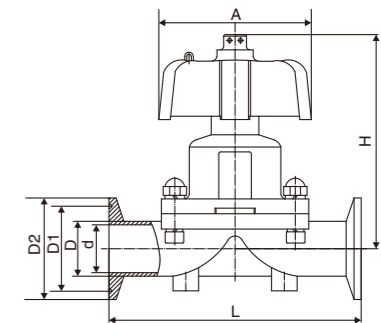
Diaphragm material: EPDM, FPM, PTFE

Body material: Stainless steel 1.4435=316L

Connection way: Tri-clamp connection see below table.

Other connection way: welding flange, thread

Manufacturing standard: GB, DIN, ISO, SMS



技术参数 Technical Data

隔膜尺寸 Diaphragm size (AXB)	25x25	37x33	54x45	70x65 83x78
阀体尺寸 Body Size (DN)	DN8-DN10	DN15	DN20-32	DN40 DN50
工作压力 Working Pressure (EPDM)	Max. 6bar	Max. 6bar	Max. 6bar	Max. 6bar
工作压力 Working Pressure (PTFE)	Max. 6bar	Max. 6bar	Max. 6bar	Max. 6bar
工作温度 Working Temp (EPDM)	Max. 130°C	Max. 130°C	Max. 130°C	Max. 130°C
工作温度 Working Temp (PTFE)	Max. 150°C	Max. 150°C	Max. 150°C	Max. 150°C

主要外形连接尺寸 Main Outline Connection Dimension

型号 Model	L	d	D	D1	D2	A	H	DH-L	DF-L	DF-L2
DN10	89	10.0	14.0	20.2	25.2	35	80	89	-	-
DN15	108	15.0	19.0	43.5	50.5	64	98	108	120	130
DN20	117	15.8	19.5	43.5	50.5	90	115	117	140	150
DN25	127	22.1	26.0	43.5	50.5	90	120	127	150	160
DN32	150	28.0	35.0	43.5	50.5	114	125	150	160	160
DN40	159	34.8	39.0	43.5	50.5	114	140	159	180	200
DN50	190	47.5	53.0	56.5	64.0	114	155	190	200	230
DN65	216	60.0	66.0	70.5	77.5	195	248	216	250	290
DN80	254	73.0	79.0	83.5	91.0	195	256	254	280	310

概述 Overview

驱动方式: 气动, 常闭(1)常开(2)双向(3)

使用: 气动头D应用于直通阀体, 气动头T应用于直通和多通阀体

最大工作压力: 10bar(隔膜为乙丙橡胶或氟化橡胶), 6bar(隔膜为聚四氟乙烯, 单面使用)

最大工作温度: 150°C(根据使用条件)

控制压力: 4-6bar(控制方式1), 3-4bar(控制方式2和3)

隔膜材料: 乙丙橡胶、氟化橡胶、聚四氟乙烯

阀体材料: 不锈钢1.4435=316L

接口方式: 快装接口见下表。

其他接口方式: 焊接、法兰、螺纹

制造标准: GB、DIN、ISO、SMS

Driving way: Pneumatic, normally closed(1), normally open(2), and double direction(3)

Useful: Pneumatic actuator D applied to pass body, Pneumatic actuator T applied to pass body and multipass body

Max pressure: 10bar(diaphragm is EPDM or FPM) 6bar(diaphragm is PTFE, one side shall be used)

Max temperature: 150°C, (According to the conditions of use)

Control pressure: 4-6bar(control way 1), 3-4bar(control way 2 to 3)

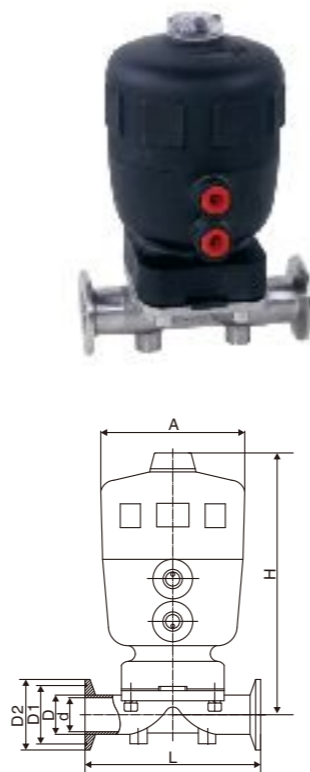
Diaphragm material: EPDM, FPM, PTFE

Body material: Stainless steel1.4435=316L

Connection way: Tri-clamp connection see below table.

Other connection way: Welding, flange, thread

Manufacturing standard:GB,DIN,ISO,SMS



技术参数 Technical Data

隔膜尺寸 Diaphragm size (AXB)	25x25	37x33	54x45	70x65 83x78
阀体尺寸 Body Size (DN)	DN8-DN10	DN15	DN20-32	DN40 DN50
工作压力 Working Pressure (EPDM)	Max.6bar	Max.6ar	Max.6ar	Max.6ar
工作压力 Working Pressure (PTFE)	Max.6bar	Max.6ar	Max.6ar	Max.6ar
工作温度 Working Temp (EPDM)	Max.130°C	Max.130°C	Max.130°C	Max.130°C
工作温度 Working Temp (PTFE)	Max.150°C	Max.150°C	Max.150°C	Max.150°C

主要外形连接尺寸 Main Outline Connection Dimention

型号 Model	执行器 Actuator mm	L	d	D	D1	D2	A	H	DH-L	DF-L
DN10	Φ50	89	10.0	14.0	20.2	25.2	64	122	89	-
DN15	Φ63	108	15.0	19.0	43.5	50.5	80	145	108	120
DN20	Φ80	117	15.8	19.5	43.5	50.5	100	167	117	140
DN25	Φ80	127	22.1	26.0	43.5	50.5	100	170	127	150
DN32	Φ80	150	28.0	35.0	43.5	50.5	100	175	150	160
DN40	Φ100	159	34.8	39.0	43.5	50.5	126	225	159	180
DN50	Φ100	190	47.5	53.0	56.5	64.0	126	238	190	200
DN65	Φ125	216	60.0	66.0	70.5	77.5	156	420	216	250
DN80	Φ125	254	73.0	79.0	83.5	91.0	156	445	254	280

特点 Advantages

- 1、适用于腐蚀介质的输送及截流、流量的调节, 根据材质不同使用温度-14°C ~ +140°C。
- 2、过流部件采用RPP或PVDF注塑件组装而成, 耐腐蚀性能优良。
- 3、密封件膜片采用F46或PFA制成, 耐折次数≥12000次, 耐腐蚀性能与F4相当。
- 4、采用了螺杆升降结构, 启闭力矩大, 平稳性好。

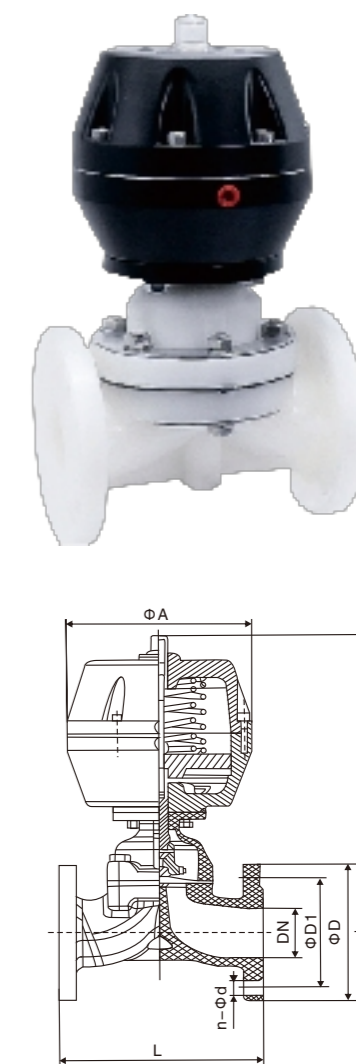
1. It is suitable for the transportation of corrosive media and the regulation of interception and flow rate. According to the different materials, it can be used at temperatures ranging from - 14°C to +140°C.
2. The over-current parts are assembled by RPP or PVDF injection moulding parts, which have excellent corrosion resistance.
3. The sealing diaphragm is made of F46 or PFA, and its folding resistance is more than 12000 times. Its corrosion resistance is similar to that of F4.
4. The screw lifting structure is adopted with large opening and closing moment and good stability.

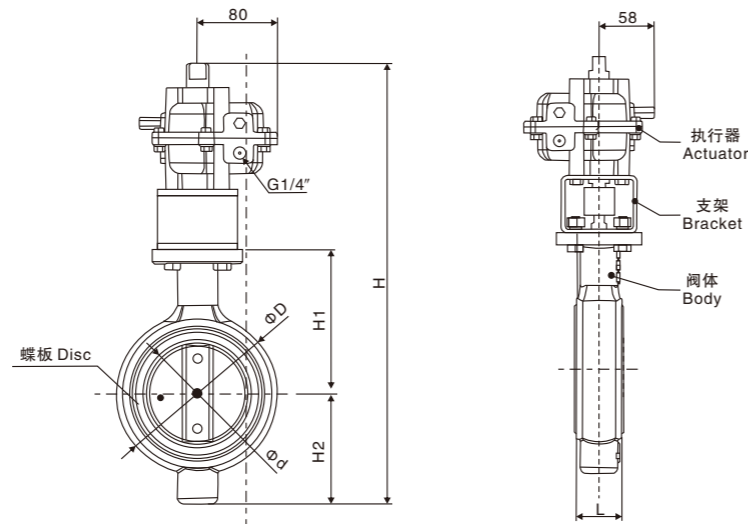
主要零件材料 Main Parts and Materials

NO.	名称Name	材质Material
1	阀体 Body	UPVC
2	阀盖 Bonnet	UPVC
3	隔膜 Diaphragm	EPDM+F46
4	阀瓣 Disc	UPVC
5	气缸 Cylinder	铝合金 Aluminum alloy
6	活塞 Piston	铝合金 Aluminum alloy
7	阀杆 Stem	不锈钢304/45# Stainless steel 304/45 #
8	连接方式 Way of connection	法兰 Flange

主要外形连接尺寸 Main Outline Connection Dimention

DN	L	D	D1				n	Φd	A	H	阀门重量(Kg) Valve weight
			HG	JIS	DIN	ANSI					
15	125	95	65	70	65	60	4	14	110	215	2
20	135	105	75	75	75	70	4	14	110	220	2.3
25	145	115	85	90	85	80	4	14	110	225	2.5
32	150	135	100	-	-	-	4	18	140	240	3
40	180	145	110	105	110	100	4	18	170	285	5
50	210	160	125	120	125	120	4	18	170	307	8
65	250	180	145	140	145	140	4	18	200	327	13
80	300	195	160	150	160	152	8	18	230	390	16
100	350	215	180	175	180	190	8	18	260	470	24
125	400	245	210	210	210	216	8	18	310	637	30
150	480	280	240	240	240	240	8	23	370	-	-
200	570	335	295	290	295	298	8	23	490	-	-





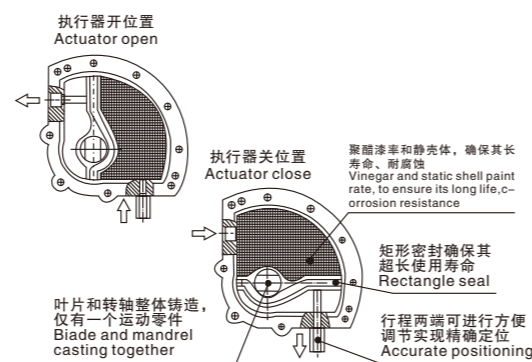
工作原理 Function Principle

压缩空气迫使叶片做往复运动，使阀门达到开启与关闭，独特的叶片型旋转气缸设计是理想的旋转气动驱动零件，确保其工作稳定、寿命长、效率高。

Compressed air forces the blade to do reciprocating movement, so that the valve to open and close, the unique vane type rotating cylinder design is the ideal rotating pneumatic drive parts, to ensure its stable work, long life, high efficiency.

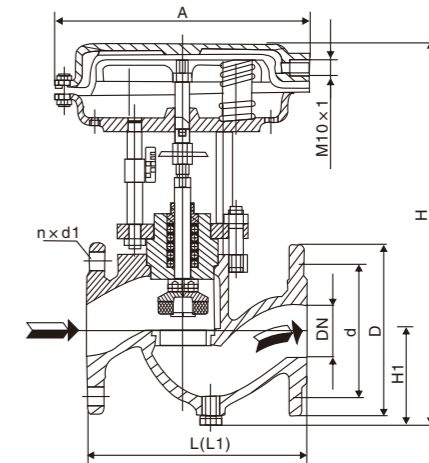
技术参数 Technical Data

管道压力 Fluid Pressure	Max 1.6MPa(232psi)
控制压力 Control Pressure	0.3-0.8MPa(43.5-116psi)
适用介质 Applicable Fluid	EPDM适用于热水和蒸汽，不适用于油脂类、燃料等。 EPDM-Suitable for steam and hot water unsuitable for oils, greases, fuels etc.
介质温度 Fluid Temperature	-10°C~+130°C
阀体材料 Body Material	HT250
密封材料 Seals Material	EPDM
蝶板材料 Disc Material	CF8
控制形式 Control Type	双作用 Double acting



主要外形连接尺寸 Main Outline Connection Dimension

规格 Size	工作压力 (Mpa) Fluid pressure	控制压力 (Mpa) Control pressure	L (mm)	H (mm)	H1 (mm)	H2 (mm)	Φd (mm)	D (mm)	重量(Kg) Weight
DN50	0-1.6	0.3-0.8	38	372	110	75	52	102	4.7
DN65	0-1.6	0.3-0.8	38	380	117	76	66.5	110	4.8
DN80	0-1.6	0.3-0.8	42	395	120	89	76.5	128	5.3
DN100	0-1.6	0.3-0.8	48	442	144	110	100.5	160	7.7
DN150	0-1.6	0.3-0.8	52	512	180	145	152.5	218	10.8



技术参数 Technical Data

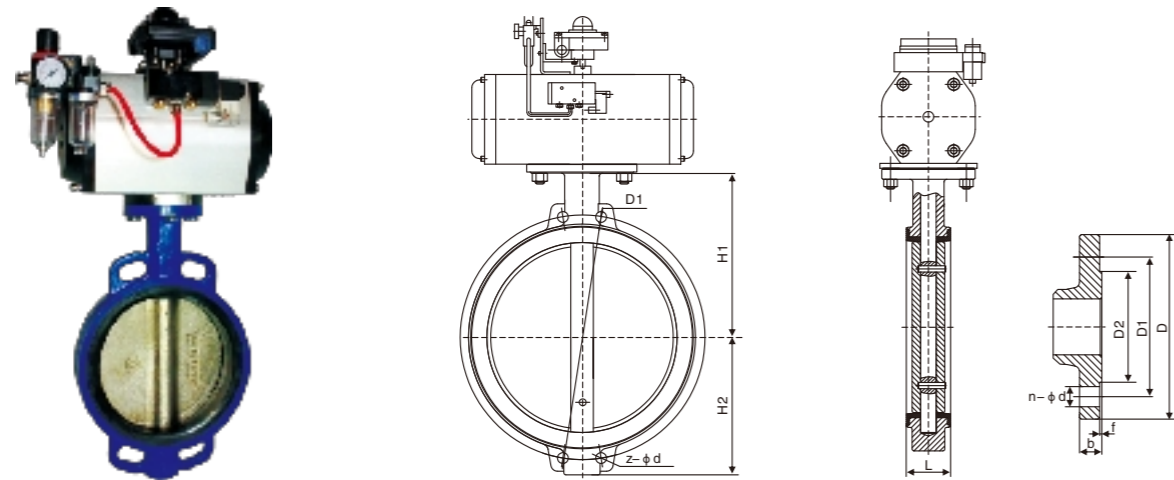
公称通径 Nominal diameter DN(mm)	15	20	25	32	40	50	65	80	100	125	150	200					
额定流量系数 KV Rated flow coefficient	单座、双座 Single seat, double seat		5	7	11	20	30	48	75	120	190	300	480	760			
	套筒 Sleeve				11	20	30	48	75	120	190	300	480	760			
公称压力 Nominal pressure PN (MPa)	1.0、1.6、4.0、6.4																
额定行程 Rated stroke (mm)	8			12			20		25		40		50				
有效面积 Effective area (cm ²)	ZMQ 型 Type		100			200			400			600			1000		
	ZSQ 型 Type		100			125			160			250					
允许泄漏量 Allowable leakage	硬密封 Hard seal 1/h		一般: 10 ⁻⁴ X 阀额定容量; 严密型: 单、双座: 1.2X10 ⁻⁷ , 套筒 5X10 ⁻⁶ X 阀额定容量 General: 10 ⁻⁴ X valve rated capacity; Strict type: single, double seat: 1.2 x10 ⁻⁷ , sleeve 5x10 ⁻⁶ X valve rated capacity														
	软密封 Soft seal		VI 级 Grade VI														
允许压差 (MPa) Allowable differential pressure	ZMQ PN 正作用		6.4	5.09	2.91	1.85	2.18	1.33	1.52	0.99	0.62	0.60	0.69	0.39			
	ZMQ PN 反作用		6.4	6.4	3.88	2.47	2.91	1.77	2.03	1.32	0.83	0.80	0.92	0.52			
	ZSQ PN		6.4	6.1	3.5	2.3	3.0	1.9	1.9	1.5	0.93	0.84	0.65	0.47			
	ZMSQM		公称压力 Nominal pressure														
信号压力 (KPa) Signal pressure	ZMQ		0 或(Or) 250														
	ZSQ		0 或(Or) 400 ~ 600														

(1)ZMQ气动薄膜切断阀性能指标贯彻GB/T4213-92; (2)表中允许压差值若大于公称压力则取公称压力值，小于等于公称压力值则不变; (3)表中允许值为使用标准气缸值，可配用不同的气缸提高允许压差。

(1) Performance index of ZMQ pneumatic film cut-off valve: GB/ T4213-92; (2) Allows the differential values in the table if is greater than the nominal pressure, nominal pressure value, less than or equal to the nominal pressure values are the same; (3) Permitted for use standard cylinder values in the table, can improve allowed with different cylinder pressure difference.

主要外形连接尺寸 Main Outline Connection Dimension

公称通径 (DN) Nominal diameter	15	20	25	32	40	50	65	80	100	125	150	200	
A	Φ196			Φ232			Φ308			394	Φ498		
L	PN64	150	150	160	180	200	230	290	310	350	400	480	600
	PN16、40	206	206	210	230	251	286	311	337	394	450	508	650
L1	PN16、40		150	160	180	200	230	290	310	350	400	480	600
	PN64		206	210	230	251	286	311	337	394	450	508	650
H	285	268	270	280	280	285	365	380	385	645	745	790	
重量 Weight (kg)	10	10	12	15	18	23	35	45	60	75	90	120	

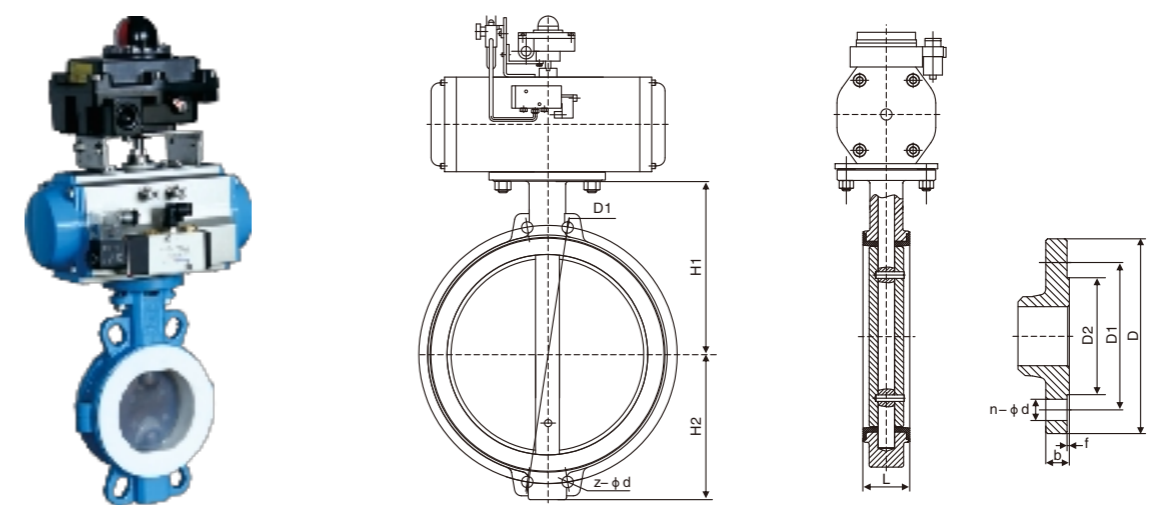


主要性能参数 Main Performance Parameters

所配置气动执行机构技术参数 Technical parameters of the configured pneumatic actuator		阀体主要技术参数 Main technical parameters of valve body	
气缸类型 Cylinder type	GT系列、AT系列、AW系列 GT series, AT series, AW series	阀门类型 Valve type	中线式软密封蝶阀 Middle line soft seal butterfly valve
作用方式 Work way	双作用活塞式、单作用弹簧复位式 Double acting piston type, single acting spring return type	阀门型号 Valve type	D671X/F D641X/F
气源压力 Air pressure	4~8Bar	连接方式 Connection mode	对夹式、法兰式等 Clamp type, flange type, etc
工作介质 Working medium	干燥、清洁不含腐蚀气体 Dry and clean without corrosive gas	公称口径 Nominal diameter	DN 50 ~ 400mm
工作温度 Working temperature	常温型: -20℃~80℃(丁腈橡胶O型圈) Room temperature type: -20℃ to 80℃ (nitrile rubber O-rings)	公称压力 Nominal pressure	1.0~2.5MPa
	高温型: -20℃~160℃(氟橡胶O型圈) High temperature type: -20℃ to 160℃ (fluorine rubber O-rings)	阀体材质 Body material	铸铁、球墨铸铁、铸钢、不锈钢等 Cast iron, ductile iron, cast steel, stainless steel, etc
动作范围 Range of motion	0~90° ±5°	蝶板材质 Butterfly material	球墨铸铁、铸钢、不锈钢、铜等 Ductile iron, cast steel, stainless steel, copper, etc
接口螺纹 Interface thread	GT52~GT83 G1/8"	阀座密封 Seat tightness	NBR、EPDM、PTFE及氟橡胶等 And fluorine rubber, etc
	GT110~GT210 AT52~AT210 G1/4"	适用温度 Suitable temperature	NBR、EPDM≤80℃ PTFE≤120℃
阀位信号 Valve position signal	定位器: 4~20mA/回信器: 全开全关信号 Locator: 4~20mA/reply: full ON/OFF signal	适用介质 Applicable medium	水、蒸汽及油品等腐蚀性和非腐蚀性介质 Water, steam, oil corrosion and the corrosion medium, etc

主要外形连接尺寸 Main Outline Connection Dimension

DN(mm)	对夹式 Clamp type								法兰式 Flange type								
	1.6MPa				150Lb				DN	1.6MPa							
	L	H1	H2	D1	4-M(d)	D1	4-M(d)	L		H1	H2	D	D1	D2	b	f	n-φd
50	43	160	80	125	4-φ19	120.5	4-φ19	100	127	240	120	220	180	156	24	3	8-φ19
65	46	175	88	145	4-φ19	139.5	4-φ19	125	140	270	130	250	210	184	24	3	8-φ19
80	46	180	96	160	4-φ19	152.5	4-φ19	150	140	300	150	285	240	211	26	3	8-φ23
100	52	200	115	180	4-φ19	190.5	4-φ19	200	152	330	180	340	295	255	28	3	12-φ23
125	56	215	130	210	4-φ19	216	4-φ22	250	250	400	220	405	355	319	28	4	12-φ28
150	56	225	140	240	4-φ23	241.5	4-φ22	300	270	410	220	460	410	370	28	4	12-φ28
200	60	260	175	295	4-φ23	298.5	4-φ22	350	290	460	270	520	470	429	30	4	16-φ28
250	68	290	200	350	4-φ28	362	4-φ25	400	310	510	290	580	525	480	30	4	16-φ31
300	78	330	240	410	4-φ28	432	4-φ25	450	330	560	320	640	585	548	34	4	20-φ31
350	78	360	265	470	4-φ28	476	4-φ28	500	350	590	360	715	650	609	34	4	20-φ37
400	102	390	300	525	4-φ31	540	4-φ28	600	390	660	390	840	770	720	35	5	20-φ37

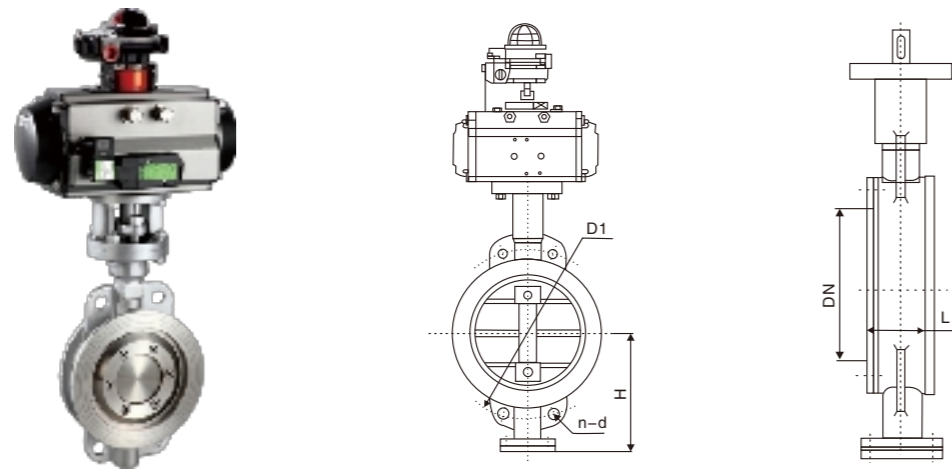


主要性能参数 Main Performance Parameters

所配置气动执行机构技术参数 Technical parameters of the configured pneumatic actuator		阀体主要技术参数 Main technical parameters of valve body	
气缸类型 Cylinder type	GT系列、AT系列、AW系列 GT series, AT series, AW series	阀门类型 Valve type	中线式衬氟蝶阀 Middle line fluorine butterfly valve
作用方式 Work way	双作用活塞式、单作用弹簧复位式 Double acting piston type, single acting spring return type	阀门型号 Valve type	D671F46/F4 D641F46/F4等 Etc
气源压力 Air pressure	4~8Bar	连接方式 Connection mode	对夹式、法兰式等 Clamp type, flange type, etc
工作介质 Working medium	干燥、清洁不含腐蚀气体 Dry and clean without corrosive gas	公称口径 Nominal diameter	DN 50 ~ 400mm
工作温度 Working temperature	常温型: -20℃~80℃(丁腈橡胶O型圈) Room temperature type: -20℃ to 80℃ (nitrile rubber O-rings)	公称压力 Nominal pressure	1.0~1.6MPa
	高温型: -20℃~160℃(氟橡胶O型圈) High temperature type: -20℃ to 160℃ (fluorine rubber O-rings)	阀体材质 Body material	铸钢、不锈钢等 Cast steel, stainless steel, etc
动作范围 Range of motion	0~90° ±5°	蝶板材质 Butterfly material	WCB+PTFE/PO/FEP
接口螺纹 Interface thread	GT52~GT83 G1/8"	阀座密封 Seat tightness	PTFE/PO/FEP等 Etc
	GT110~GT210 AT52~AT210 G1/4"	适用温度 Suitable temperature	PTFE/PO/FEP≤120℃
阀位信号 Valve position signal	定位器: 4~20mA/回信器: 全开全关信号 Locator: 4~20mA/reply: full ON/OFF signal	适用介质 Applicable medium	水、蒸汽及油品等腐蚀性和非腐蚀性介质 Water, steam, oil corrosion and the corrosion medium, etc

主要外形连接尺寸 Main Outline Connection Dimension

DN(mm)	对夹式 Clamp type								法兰式 Flange type								
	1.6MPa				150Lb				DN	1.6MPa							
	L	H1	H2	D1	4-M(d)	D1	4-M(d)	L		H1	H2	D	D1	D2	b	f	n-φd
50	43	75	130	125	4-φ19	100	127	122	160	220	180	156	24	3	8-φ19		
65	46	90	140	145	4-φ19	125	140	138	180	250	210	184	24	3	8-φ19		
80	46	95	160	160	4-φ19	150	140	158	200	285	240	211	26	3	8-φ23		
100	52	105	180	180	4-φ19	200	152	188	220	340	295	255	28	3	12-φ23		
125	56	135	200	210	4-φ19	250	165	224	260	405	355	319	28	4	12-φ28		
150	56	145	220	240	4-φ23	300	178	254	290	460	410	370	28	4	12-φ28		
200	60	175	260	295	4-φ23	350	190	288	340	520	470	429	30	4	16-φ28		
250	68	205	290	350	4-φ28	400	216	305	370	580	525	480	30	4	16-φ31		
300	78	245	340	410	4-φ28	450	222	340	742	640	585	548	34	4	20-φ31		
350	78	275	370	470	4-φ28	500	229	372	742	715	650	609	34	4	20-φ37		
400	102	305	400	525	4-φ31	600	267	440	922	840	770	720	35	5	20-φ37		

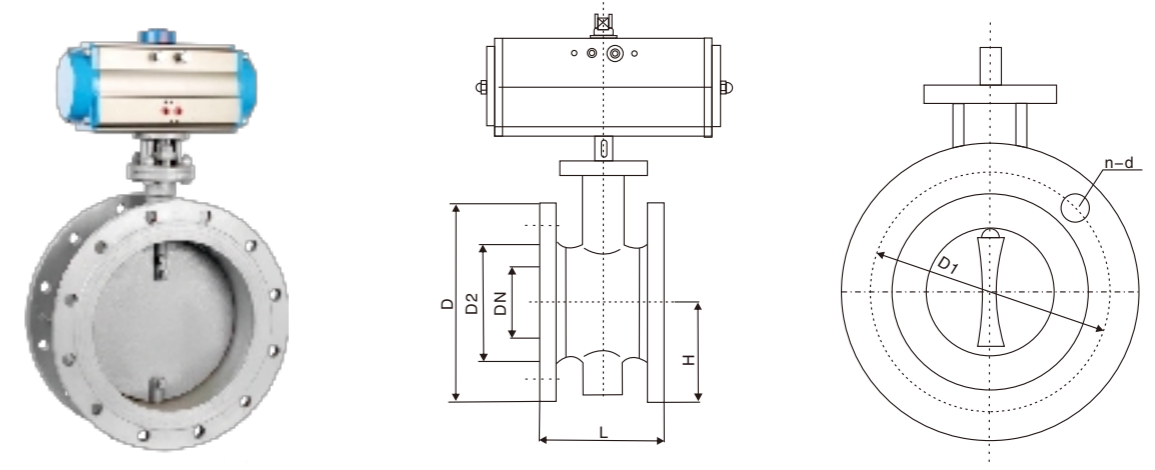


主要性能参数 Main Performance Parameters

公称通径DN (mm) Nominal diameter		50-800			
公称压力PN (Mpa) Nominal pressure		1.0	1.6	2.5	
公称压力PS (Mpa) Nominal pressure	强度试验 Strength test	1.5	2.4	3.75	
	密封试验 Seal test	1.1	1.76	2.75	
材料 Material	材料代号 Material code	C	P	R	
主要零件 Main parts	阀体 Body	WCB	ZG1Cr18Ni9Ti	ZG0Cr18Ni12Mo2Ti	
	球体 Sphere	WCB	ZG1Cr18Ni9Ti	ZG0Cr18Ni12Mo2Ti	
	阀杆 Valve stem	2Cr13	1Cr18Ni9Ti	0Cr18Ni12Mo2Ti	
	密封圈 Sealing ring	不锈钢 Stainless steel			
	填料 Packing	聚四氟乙烯 Teflon 柔性石墨 Flexible graphite			
适用工况 Applicable condition	适用介质 Applicable medium	水、蒸汽、油品 Water, steam, oil	硝酸类 Nitric acids	醋酸类 Acetic acid	
	适用温度 Suitable temperature	-40℃ ~ 200℃			
执行器 Actuator	型号 Model	GT或AW系列等 GT or AW series, etc			
	气源压力 Air pressure	0.3-0.7MPa			
执行标准 Execution standard	设计制造 Design and manufacture	结构长度 Structural length	法兰尺寸 Flange size	压力温度 Pressure temperature	试验检验 Test test
	GBT/12238	GB12221	GB9113	GB9131	GB13927

主要外形连接尺寸 Main Outline Connection Dimension

DN(mm)	尺寸 Size(mm)								执行器型号 (仅供参考) Actuator type number (for reference only)
	L	H	D1(1.0)	D1(1.6)	D1(2.5)	n-d(1.0)	n-d(1.6)	n-d(2.5)	
50	43	112	125	125	125	4-14	4-14	4-18	DA-65
65	46	115	145	145	145	4-14	4-14	8-18	DA-85
80	49	120	160	160	160	4-18	4-18	8-18	DA-85
100	56	138	180	180	190	4-18	8-18	8-22	DA-105
125	64	164	210	210	220	8-18	8-18	8-26	DA-125
150	70	175	240	240	250	8-18	8-22	8-26	DA-125
200	71	208	295	295	310	8-18	12-22	12-26	DA-160或orAW13
250	76	243	350	355	370	12-18	12-26	12-30	DA-190或orAW13
300	83	283	400	410	430	12-22	12-26	16-30	DA-210或orAW17
350	92	310	460	470	490	12-22	16-26	16-33	AW17
400	102	340	515	525	550	16-22	12-30	16-36	AW20
450	114	380	565	585	600	16-22	20-30	20-36	AW20
500	127	410	620	650	660	20-22	20-33	20-36	AW28
600	154	470	725	770	770	20-26	20-36	20-39	AW28
700	165	550	840	840	875	24-26	24-36	24-42	AW35
800	190	640	950	950	990	24-30	24-39	24-48	AW35

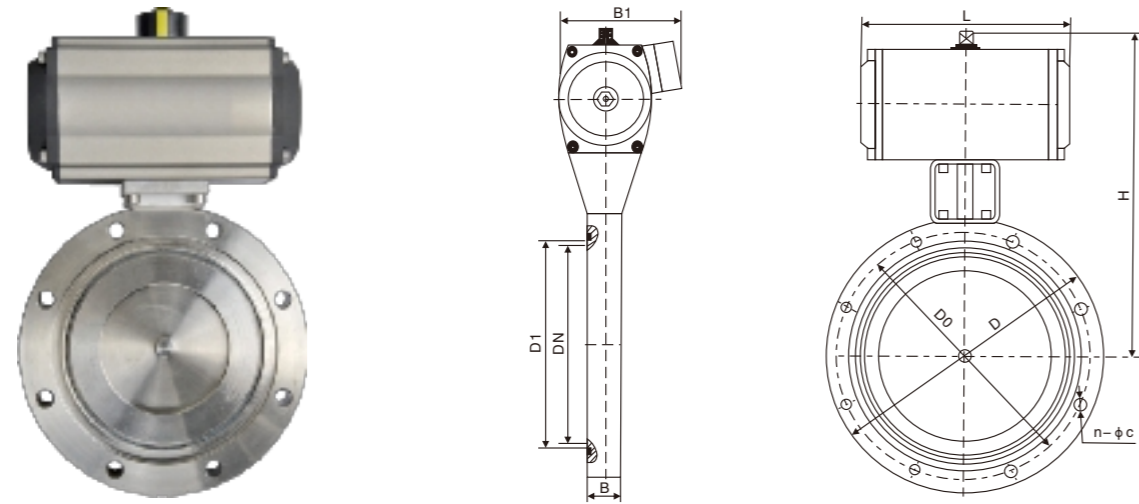


主要性能参数 Main Performance Parameters

公称通径DN (mm) Nominal diameter		50-800		
公称压力PN (Mpa) Nominal pressure		0.05	0.25	0.6
公称压力PS (Mpa) Nominal pressure	强度试验 Strength test	0.075	0.375	0.9
	密封试验 Seal test	≤15%泄漏量 (Leakage)		
材料 Material	材料代号 Material code	C	P	R
主要零件 Main parts	阀体 Body	WCB	1Cr18Ni9Ti	0Cr18Ni12Mo2Ti
	蝶板 Butterfly plate	2Cr13	1Cr18Ni9Ti	0Cr18Ni12Mo2Ti
	阀杆 Valve stem	2Cr13	1Cr18Ni9Ti	0Cr18Ni12Mo2Ti
	密封圈 Sealing ring	WCB	1Cr18Ni9Ti	0Cr18Ni12Mo2Ti
	填料 Packing	氟塑料、柔性石墨 Fluoroplastic, flexible graphite		
适用工况 Applicable condition	适用介质 Applicable medium	煤气、含尘气体、烟道气等 Gas, dust gas, flue gas, etc		
	适用温度 Suitable temperature	-29℃~425℃	-40℃~200℃	
执行器 Actuator	型号 Model	GT或AW系列 GT or AW series		
	气源压力 Air pressure	0.3-0.7MPa		
执行标准 Execution standard	设计制造 Design and manufacture	结构长度 Structural length	法兰尺寸 Flange size	压力温度 Pressure temperature
	GBT/12238	GBT/12221	GB9113	GB9131

主要外形连接尺寸 Main Outline Connection Dimension

DN(mm)	尺寸 Size(mm)										执行器型号 (仅供参考) Actuator type number (for reference only)
	L	H	0.05MPa和0.25MPa								
			D	D1	D2	n-d	D	D1	D2	n-d	
50	108	70	140	110	88	4-18	140	110	88	4-14	GTD-52
65	112	80	160	130	108	4-18	160	130	108	4-14	GTD-52
80	114	95	190	150	124	4-18	190	150	124	4-18	GTD-63
100	127	105	210	170	144	4-18	210	170	144	4-18	GTD-63
125	140	120	240	200	174	8-18	240	200	174	8-18	GTD-83
150	140	132	265	225	199	8-18	265	225	199	8-18	GTD-83
200	152	160	320	280	254	8-18	320	280	254	8-18	GTD-110
250	165	187	375	335	309	12-18	375	335	309	12-18	GTD-110
300	178	220	440	395	363	12-22	440	395	363	12-22	GTD-127
350	190	245	490	445	413	12-22	490	445	413	12-22	GTD-127
400	216	270	540	495	463	16-22	540	495	463	16-22	GTD-160
450	222	297	595	550	518	16-22	595	550	518	16-22	GTD-160
500	229	322	645	600	568	20-22	645	600	568	20-22	GTD-160
600	267	377	755	705	667	20-26	755	705	667	20-26	GTD-190
700	292	430	860	810	772	24-26	860	810	772	24-26	GTD-190
800	318	487	975	920	878	24-30	975	920	878	24-30	AW17

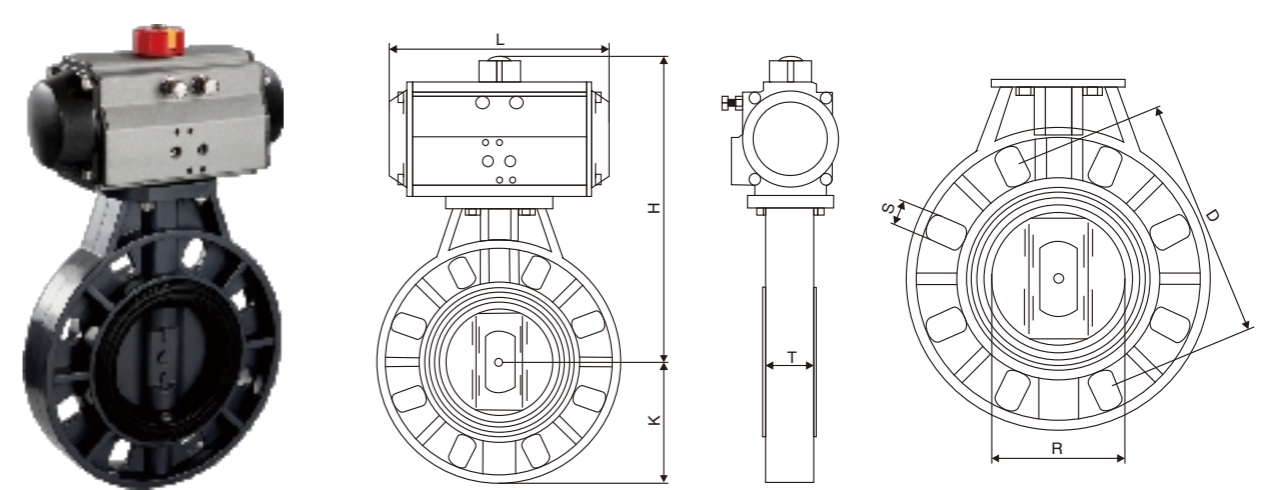


主要性能参数 Main Performance Parameters

所配置气动执行机构技术参数 Technical parameters of the configured pneumatic actuator		阀体主要技术参数 Main technical parameters of valve body	
气缸类型 Cylinder type	GT系列、AT系列 GT series, AT series	阀门类型 Valve type	中线式蝶阀 Center line butterfly valve
作用方式 Work way	双作用活塞式、单作用弹簧复位式 Double acting piston type, single acting spring return type	阀门型号 Valve type	GIQ
气源压力 Air pressure	4~8Bar	连接方式 Connection mode	JB919 对夹法兰 JB919 clamp flange
工作介质 Working medium	干燥、清洁不含腐蚀气体 Dry and clean without corrosive gas	公称通径 Nominal diameter	DN40~1200mm
工作温度 Working temperature	常温型: -20℃~80℃(丁腈橡胶O型圈) Room temperature type: ~20℃ to 80℃ (nitrile rubber O-rings) 高温型: -20℃~160℃(氟橡胶O型圈) High temperature type: -20℃ to 160℃ (fluorine rubber O-rings)	公称压力 Nominal pressure	10 ⁵ ~1.3X10 ⁶ Pa
动作范围 Range of motion	0~90° ± 5°	阀体材质 Body material	碳钢、不锈钢304/316 Carbon steel, stainless steel 304/316
接口螺纹 Interface thread	GT52~GT83 G1/8" GT110~GT210 AT52~AT210 G1/4"	蝶板材质 Butterfly material	碳钢、不锈钢304/316 Carbon steel, stainless steel 304/316
阀位信号 Valve position signal	定位器: 4~20mA/回信器: 全开全关信号 Locator: 4~20mA/reply: full ON/OFF signal	阀座密封 Seat tightness	丁腈橡胶、氟橡胶等 Nitrile rubber, fluorine rubber, etc
		适用温度 Suitable temperature	EPDM≤80℃ 氟橡胶 Fluorine rubber≤150℃
		适用介质 Applicable medium	空气 Air

主要外形连接尺寸 Main Outline Connection Dimension

型号 Model	DN	D	D0	D1	B	H	B1	L	n-φc
GIQ-40	40	85	70	44	22	162	90	104	4-φ7
GIQ-50	50	110	90	55	22	175	90	104	4-φ7
GIQ-65	65	125	105	70	26	198	102	140	4-φ9
GIQ-80	80	145	125	85	30	208	102	140	4-φ9
GIQ-100	100	170	145	105	30	220	102	140	4-φ12
GIQ-150	150	220	195	156	35	272	115	164	8-φ12
GIQ-200	200	275	250	208	40	330	205	190	8-φ12
GIQ-250	250	330	300	258	45	335	205	190	8-φ14
GIQ-300	300	380	350	308	55	426	152	247	8-φ14
GIQ-400	400	500	465	410	60	520	180	308	8-φ18
GIQ-500	500	600	565	510	80	643	220	378	12-φ18
GIQ-600	600	710	670	610	100	760	270	524	12-φ21
GIQ-800	800	920	880	815	130	962	320	648	20-φ21
GIQ-1200	1200	1440	1404	1280	150	1360	385	1480	36-φ19

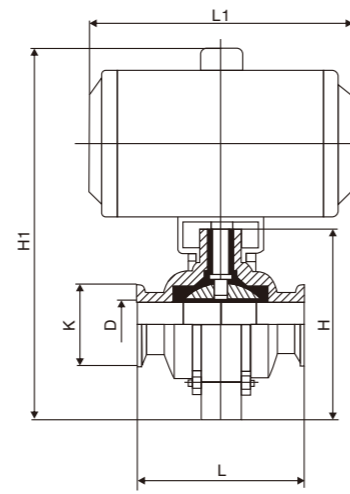


主要性能参数 Main Performance Parameters

所配置气动执行机构技术参数 Technical parameters of the configured pneumatic actuator		阀体主要技术参数 Main technical parameters of valve body	
气缸类型 Cylinder type	GT系列、AT系列 GT series, AT series	阀门类型 Valve type	中线式软密封蝶阀 Middle line soft seal butterfly valve
作用方式 Work way	双作用活塞式、单作用弹簧复位式 Double acting piston type, single acting spring return type	阀门型号 Valve type	D671X/F
气源压力 Air pressure	4~8Bar	连接方式 Connection mode	对夹式 Wafer type
工作介质 Working medium	干燥、清洁不含腐蚀气体 Dry and clean without corrosive gas	公称通径 Nominal diameter	DN40~300mm
工作温度 Working temperature	常温型: -20℃~80℃(丁腈橡胶O型圈) Room temperature type: ~20℃ to 80℃ (nitrile rubber O-rings) 高温型: -20℃~160℃(氟橡胶O型圈) High temperature type: -20℃ to 160℃ (fluorine rubber O-rings)	公称压力 Nominal pressure	0.6~1.6MPa
动作范围 Range of motion	0~90° ± 5°	阀体材质 Body material	RPP、PVDF、CPVC、UPVC等 Etc
接口螺纹 Interface thread	GT52~GT83 G1/8" GT110~GT210 AT52~AT210 G1/4"	蝶板材质 Butterfly material	RPP、PVDF、CPVC、UPVC等 Etc
阀位信号 Valve position signal	定位器: 4~20mA/回信器: 全开全关信号 Locator: 4~20mA/reply: full ON/OFF signal	阀座密封 Seat tightness	EPDM、FPM及氟橡胶等 And fluorine rubber, etc
		适用温度 Suitable temperature	EPDM≤80℃ 氟橡胶 Fluorine rubber≤120℃
		适用介质 Applicable medium	水、蒸汽及油品等腐蚀性和非腐蚀性介质 Water, steam, oil corrosion and the corrosion medium, etc

主要外形连接尺寸 Main Outline Connection Dimension

DN(mm)	尺寸标注代号 压力:1.0MPa 单位:mm Dimension code pressure :1.0MPa unit :mm							气动执行器配型 Pneumatic actuators matches
	L	T	H	K	R	S	D	
40	147	42	220	79.5	45.3	4*φ18	110	AT52
50	147	42	235	82.5	56.5	4*φ18	125	AT52
65	168	44.7	245	92.5	69.5	4*φ18	145	AT63
80	182	45	260	100	79.5	8*φ18	160	AT75
100	204	51.2	280	114.5	102.5	8*φ18	180	AT83
125	238	54.4	322	128.5	130	8*φ18	210	AT92
150	268	55	374	142.5	152	8*φ18	240	AT105
200	301	58.8	428	171.5	203	8*φ23	295	AT130
250	390	65.7	482	205.5	255	8*φ23	350	AT140
300	458	76	574	245	309.5	12*φ23	400	AT160



产品概述 Product Overview

D681X型气动快装蝶阀采用标准电子抛光，光滑表面确保清洁，无介质积存区域，不会产生潜在的污染。快速拆装阀，使阀门打开和维修快捷容易，使过程停机时间缩短。广泛应用于如食品、制药、化妆品、洁净蒸汽、酒类、饮料、生化工业过程控制场合。

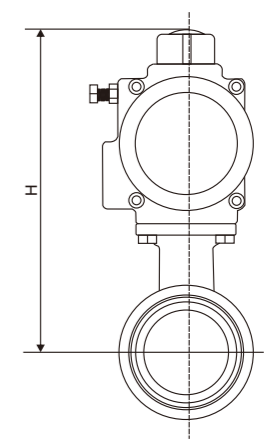
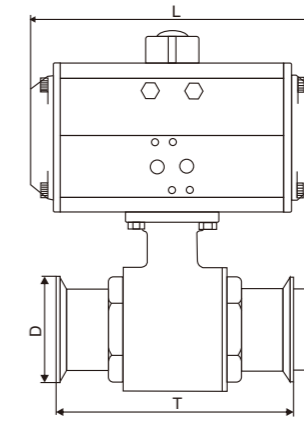
Model D681X pneumatic quick-install butterfly valve adopts standard electronic polishing, smooth surface to ensure clean, no medium accumulation area, no potential pollution. Quick disassembly and assembly of the valve makes the valve open and repair quickly and easily, and reduces the process downtime. Widely used in such as food, pharmaceutical, cosmetics, clean steam, alcohol, beverages, biochemical industrial process control occasions.

主要性能参数 Main Performance Parameters

公称通径 Nominal diameter	DN (mm)	19~219		
公称压力 Nominal pressure	PN (MPa)	0.6	1.0	1.6
试验压力 Test pressure	强度试验 Strength test	0.9	1.5	2.4
	密封试验 Sealing test	0.66	1.1	1.76
	气密封试验 Gas seal test	0.6	0.6	0.6
适用介质 Applicable medium	空气、水、蒸气、油品等 Air, water, steam, oil, etc			
驱动形式 Drive form	手动、蜗杆蜗轮传动、气传动、电传动 Manual, worm and worm gear drive, air drive, electric drive			
连接方式 Connection mode	快装式、卡箍式、外螺纹、焊接式等 Quick - loading type, clamp type, external thread, welding type, etc			

主要外形连接尺寸 Main Outline Connection Dimension

规格 Φ Specifications	L1	H1	K	D	H	L	Kg	执行器规格 Actuator specification
19	147	210	50.5	16	105	66	2.8	AT52
25	147	210	50.5	22	105	66	2.7	AT52
32	147	210	50.5	29	105	66	2.6	AT52
38	147	210	50.5	35	105	70	2.7	AT52
45	147	215	64	42	120	70	2.8	AT52
51	147	225	64	48	130	76	3.0	AT52
57	168	250	77	53	135	76	4.0	AT63
63	168	260	77	59	145	76	4.1	AT63
76	168	270	91	72	155	80	4.4	AT63
89	168	285	106	85	170	84	5.1	AT63
102	183	310	119	98	185	85	6.1	AT75
133	205	350	145	127	215	122	9.0	AT83
159	260	385	183	153	245	123	12.2	AT92
219	265	460	233	213	310	134	17.7	AT105



产品概述 Product Overview

气动快装球阀采用内外抛光处理，用于食品、医药等卫生级别工况。控制方式有开关型和调节型两种。全通径的卫生级球阀基本没有流阻；结构简单、体积小、重量轻；紧密可靠，其有两个密封面，而且目前球阀的密封面材料广泛使用各种塑料，密封性好，能实现完全密封。广泛应用于啤酒工程、食品工程、化学工程、制药工程、生物工程和污水处理工程等领域。

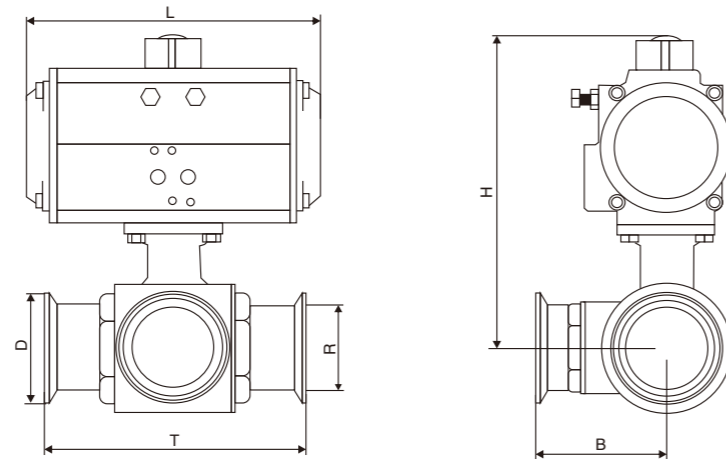
Pneumatic quick loading ball valve adopts internal and external polishing treatment, used for food, medicine and other health conditions. There are two types of control mode: switch mode and control mode. Sanitary class ball valves of full size have basically no flow resistance; Simple structure, small size, light weight; Close and reliable, it has two sealing surface, and the sealing surface material of the ball valve is widely used in a variety of plastics, good sealing, can achieve complete sealing. It is widely used in beer engineering, food engineering, chemical engineering, pharmaceutical engineering, biological engineering and water treatment engineering.

主要性能参数 Main Performance Parameters

产品名称 Product name	Q681F气动卫生级快装球阀 Q681F pneumatic health class quick loading ball valve
产品型号 Product model	Q681F
公称通径 Nominal diameter	DN15-100mm
压力范围 Pressure range	1.6MPa
阀体材质 Body material	不锈钢304、316、316L Stainless steel 304, 316, 316L

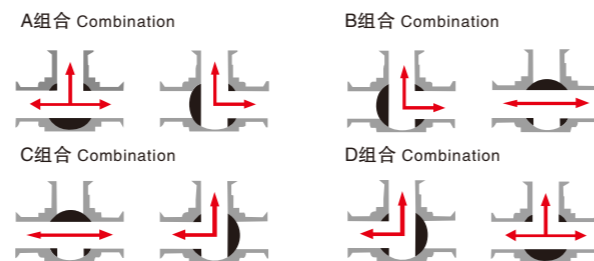
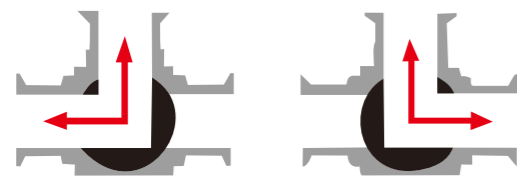
主要外形连接尺寸 Main Outline Connection Dimension

DN(mm)	尺寸标注代号 压力:1.6MPa 单位:mm Pressure of dimension label: 1.6MPa unit :mm					气动执行器配型 Pneumatic actuator configuration
	L	H	T	R	D	
15	147	149	100	19	50.5	AT-52
20	147	149	105	25	50.5	AT-52
25	147	156	120	32	50.5	AT-52
32	168	190	136	38	50.5	AT-63
40	182	196	160	51	64	AT-75
50	204	228	170	63	77	AT-83
65	238	270	196	76	91	AT-92
80	268	301	235	89	106	AT-105
100	301	350	270	102	119	AT-125



L型三通球阀 L type tee ball valve

T型三通球阀 Type T tee ball valve

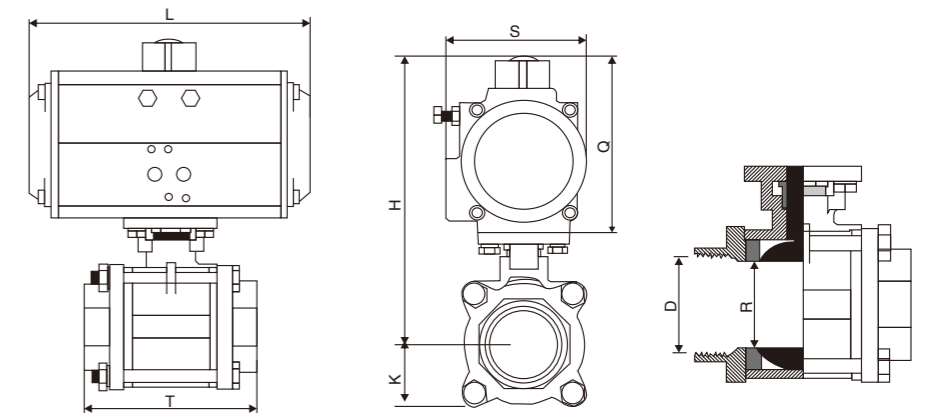


主要性能参数 Main Performance Parameters

公称口径 Connection mode	DN15 ~ 100 mm
公称压力 Nominal pressure	PN1.0MPa
结构形式 Structure form	三通T型、三通L型 T-type and L-type tees
阀座密封 Seat tightness	聚四氟乙烯(PTFE)≤180℃ Polytetrafluoroethylene (PTFE) 180 °C or less
链接方式 Link way	卡箍快装式连接 Clamp quick fit connection
阀体材质 Body material	不锈钢304、316、316L Stainless steel 304, 316, 316L
球芯材质 Ball core material	不锈钢304、316、316L Stainless steel 304, 316, 316L
作用形式 Role form	单作用式(弹簧复位)常开常闭、双作用(气开气关) Single acting (spring return)
控制方式 Control mode	切断式(开关控制)、调节型(4-20mA信号实现调节功能) Cut type (switch control), the external regulation (4-20 mA signal regulating functions)

主要外形连接尺寸 Main Outline Connection Dimention

DN(mm)	尺寸标注代号 压力:1.6MPa 单位:mm Pressure of dimension label: 1.6MPa unit :mm						气动执行器配型 Pneumatic actuator configuration
	L	H	T	D	R	B	
15	147	149	108	50.5	19	73.5	AT-52
20	147	149	120	50.5	25	73.5	AT-52
25	147	156	128	50.5	32	73.5	AT-52
32	168	190	144	50.5	38	84	AT-63
40	168	196	168	64	51	84	AT-75
50	210	228	180	77.5	63	105	AT-83
65	262	270	220	91	76	131	AT-92
80	265	301	244	106	89	132.5	AT-105
100	300	350	270	119	102	150	AT-125

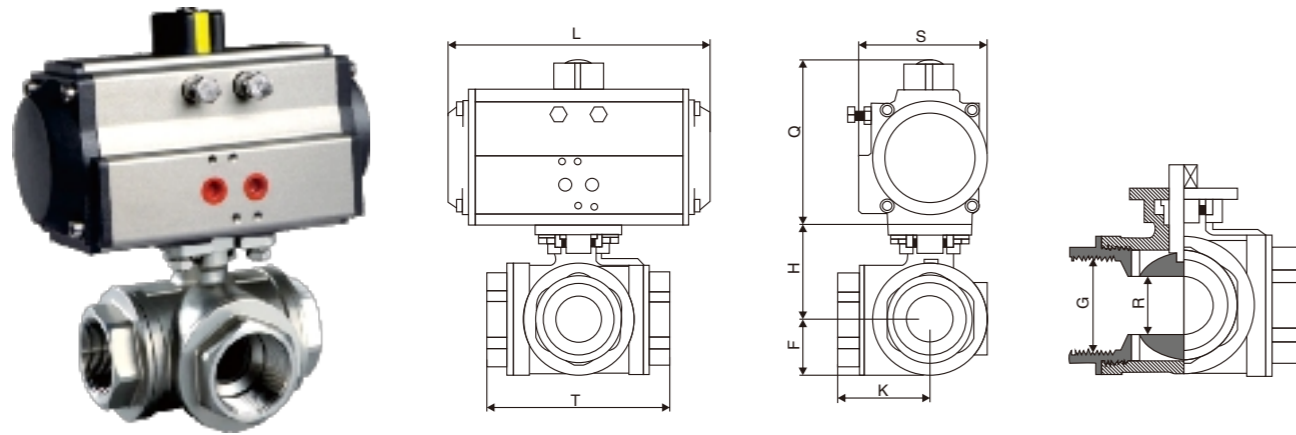


主要性能参数 Main Performance Parameters

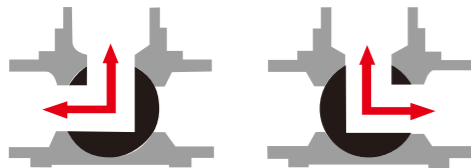
所配置气动执行机构技术参数 Technical parameters of the configured pneumatic actuator		阀体主要技术参数 Main technical parameters of valve body	
气缸类型 Cylinder type	GT系列、AT系列、AW系列 GT series, AT series, AW series	阀门类型 Valve type	二片式、三片式 Two-piece type and three-piece type
作用方式 Work way	双作用活塞式、单作用弹簧复位式 Double acting piston type, single acting spring return type	阀门型号 Valve type	Q611F/N/PPL/H Q661
气源压力 Air pressure	4~8Bar	连接方式 Connection mode	螺纹NPT、RC、BSPT及BW SW等 Thread NPT, RC, BSPT and BW SW, etc
工作介质 Working medium	干燥、清洁不含腐蚀性气体 Dry and clean without corrosive gas	公称口径 Nominal diameter	DN6~100mm
工作温度 Working temperature	常温型: -20℃~80℃(丁腈橡胶O型圈) Room temperature type: ~ 20 °C to 80 °C (nitrile rubber O-rings) 高温型: -20℃~160℃(氟橡胶O型圈) High temperature type: - 20 °C to 160°C (fluorine rubber O-rings)	公称压力 Nominal pressure	1.6~6.4MPa 1000WOG
动作范围 Range of motion	0~90° ± 5°	阀体材质 Body material	铸钢、不锈钢304/316/316L等 Cast steel, stainless steel 304/316/316L, etc
接口螺纹 Interface thread	GT52~GT83 G1/8" GT110~GT210 AT52~AT210 G1/4"	球体材质 Ball material	不锈钢304/316/316L等 Stainless steel 304/316/316L etc
阀位信号 Valve position signal	定位器: 4~20mA/回信器: 全开全关信号 Locator: 4-20mA/reply: full ON/OFF signal	阀座密封 Seat tightness	PTFE、PPL、金属材料密封等 Metal material seal, etc
		适用温度 Suitable temperature	PTFE≤150℃、PPL≤300℃、金属密封 Metal seal≤425℃
		适用介质 Applicable medium	水、蒸汽及油品等腐蚀性和非腐蚀性介质 Water, steam, oil corrosion and the corrosion medium, etc

主要外形连接尺寸 Main Outline Connection Dimention

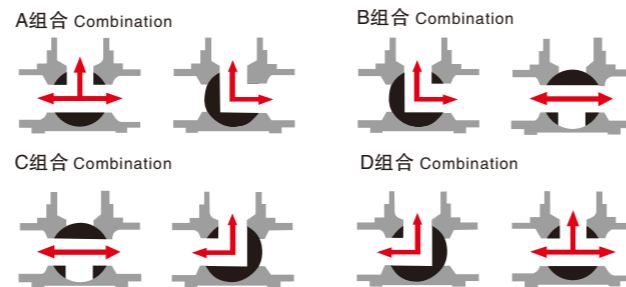
DN(mm)	气动执行器配型 Pneumatic actuator configuration	尺寸标注代号 压力:1.6MPa 单位:mm Pressure of dimension label: 1.6MPa unit :mm							
		L	T	H	S	K	Q	R	D
8	AT32Q	109	74	117	46.5	23	72	8	G1/4"
8	AT40Q	123.5	74	131	65	23	87	8	G1/4"
8	AT52Q	146	74	145	71.5	23	98	8	G1/4"
10	AT32Q	109	73	117	46.5	23	72	10	G3/8"
10	AT40Q	123.5	73	131	65	23	87	10	G3/8"
10	AT52Q	146	73	145	71.5	23	98	10	G3/8"
15	AT32Q	109	69	117	46.5	23	72	15	G1/2"
15	AT40Q	123.5	69	131	65	23	87	15	G1/2"
15	AT52Q	146	69	145	71.5	23	98	15	G1/2"
20	AT52Q	146	80	152	71.5	26.5	98	20	G3/4"
25	AT52Q	146	88	162	71.5	28	98	25	G1"
25	AT63Q	170	88	172	83.5	28	116	25	G1"
32	AT63Q	170	100	184	83.5	36	116	32	G1 1/4"
40	AT75Q	184	110.5	201	96	38.5	128	40	G1 1/2"
50	AT83Q	211	136	220	104	44	136	50	G2"
65	AT92Q	265	168	241	109	61	146	65	G2 1/2"
80	AT105Q	275	194	253	125	70	153	80	G3"
100	AT125Q	305	240	302	147	82	190	100	G4"



L型三通球阀 L type tee ball valve



T型三通球阀 Type T tee ball valve



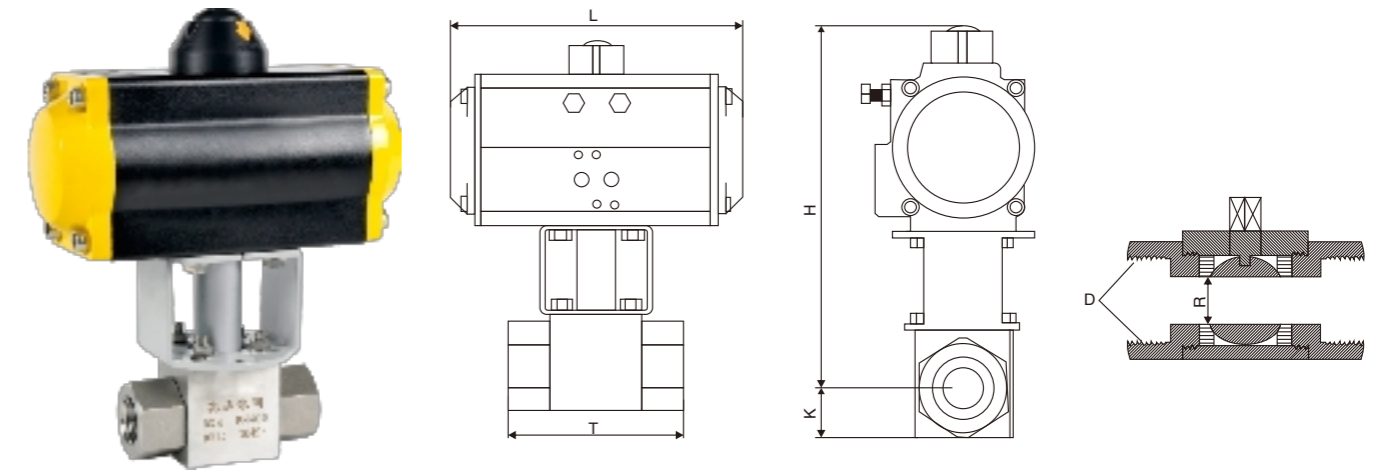
产品概述 Product Overview

气动丝扣三通球阀是由双（单）作用气动活塞式执行器和内螺纹球阀组成。适用于食品、饮料、医药、化工等纯净管路及工业环保、水处理、高层建筑、给排水管路作启闭或调节流量之用。

The pneumatic screw three-way ball valve is by double (single) action pneumatic piston type Actuator and internal thread ball valve. Applicable to food, beverage, medicine, Chemical and other pure pipeline and industrial environmental protection, water treatment, high-rise buildings, to Drain pipe for opening and closing or regulating the flow.

主要外形连接尺寸 Main Outline Connection Dimension

DN(mm)	气动执行器配型 Pneumatic actuator configuration	尺寸标注代号 压力:1.6MPa 单位:mm Pressure of dimension label :1.6MPa unit :mm								
		L	T	H	F	K	Q	R	S	G
8	AT52Q	146	71	37	16	35	98	8	71.5	G1/4"
10	AT52Q	146	71	37	16	35	98	10	71.5	G3/8"
15	AT52Q	146	71	37	16	35	98	12	71.5	G1/2"
20	AT52Q	146	80	41	20	40	98	14.5	71.5	G3/4"
25	AT63Q	170	87	50	24	43	116	17	83.5	G1"
32	AT75Q	170	114	58	31	57	116	24	96	G1 1/4"
40	AT75Q	184	130	72	38	65	128	31	96	G1 1/2"
50	AT83Q	211	144	80	45	72	136	36	104	G2"
65	AT92Q	265	186	98	58	93	146	47	109	G2 1/2"
80	AT105Q	275	206	109	69	103	153	60	125	G3"

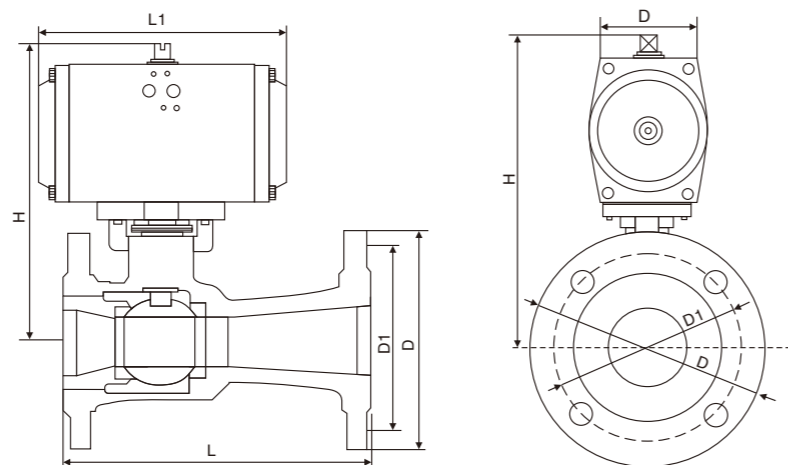


主要性能参数 Main Performance Parameters

公称通径 Nominal diameter	DN8 ~ DN50(mm), 1/4"-2"
公称压力 Nominal pressure	10.0、16.0、20.0、25.0MPa
连接方式 Connection mode	法兰式、螺纹 Flange type, thread
阀体形式 Body type	三段式锻造阀体 Three-stage forged body
气源气压 Air pressure	压缩空气4-7bar (可带手轮) Compressed air 4-7bar (with handwheel)
阀体材质 Body material	碳钢、不锈钢304、316、316L Carbon steel, stainless steel 304, 316, 316L
阀芯材质 Valve core material	不锈钢316L、316、304 Stainless steel 316L, 316, 304
适用介质 Applicable medium	油品、燃气、水、蒸汽等 (高压) Oil, gas, water, steam, etc. (high pressure)

主要外形连接尺寸 Main Outline Connection Dimension

DN(mm)	尺寸标注代号 压力:32.0MPa 单位:mm Pressure of dimension code :32.0MPa unit :mm						气动执行器配型 Pneumatic actuator configuration
	L	T	H	K	R	D	
8	147	72	176	13	6	G1/4"	AT52
10	147	78	176	16	8	G3/8"	AT52
15	147	87	176	19	10	G1/2"	AT52
20	168	99	237	24	14.5	G3/4"	AT63
25	182	114	237	26	19.6	G1"	AT75
32	204	123	249	38	24.8	G1 1/4"	AT83
40	239	131	285	42	30	G1 1/2"	AT92
50	268	142	348	50	39.6	G2"	AT105



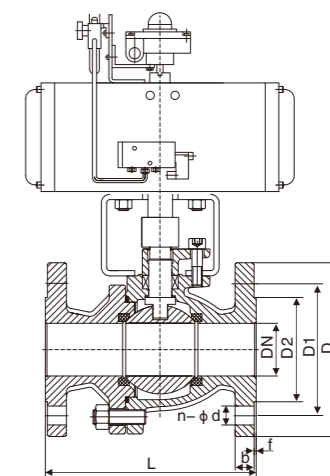
产品概述 Product Overview

本球阀阀体采用最新型的一体式结构，比分体式球阀中部减少泄漏点并且阀杆采用倒装双密封，完全避免泄漏。本公司生产的多种结构长度的球阀可替代闸阀、排污阀、柱塞阀、截止阀使用，便于原管道更换安装。本阀适用于温度：≤350℃(PPL高温密封面)或≤180℃(PTFE、F46密封面)，适用于压力：1.0~4.0 MPa的水、蒸汽、油品、硝酸类、醋酸类等流体介质中。广泛应用于食品、环保、轻工、石油、造纸、化工、电力等行业自动化流体控制系统中。

The ball valve body adopts the newest one-piece structure, the score style ball valves reduce leak and stem the inversion of central double seal, completely avoid leakage. This public production of a variety of structure of the length of the ball valve can replace gate valve, drain valve, plunger valve, cut-off valve is used, is advantageous for the replacement of the original pipeline. This valve is suitable for the temperature: 350 °C or less (PPL heat sealing surface) or 180 °C or less (PTFE, F46 seal face), is applicable to pressure: 1.0~4.0 MPa water, steam, oil, nitric acid, acetic acid and other fluid medium. Widely used in food, environmental protection, light industry, petroleum, paper making, chemical, electric power and other industries automation in the fluid flow control system.

主要外形连接尺寸 Main Outline Connection Dimension

DN(mm)	L	L1	H	D	D1	执行器型号 Perform model 仅供参考 For reference only
压力 Pressure(MPa)	1.6/2.5	1.6/2.5	1.6/2.5	1.6/2.5	1.6/2.5	
15	130	140	182	95	65	ATD-52
20	150	140	186	105	75	ATD-63
25	160	158	208	115	86	ATD-63
32	180	158	212	136	100	ATD-70
40	200	210	269	146	110	ATD-70
50	230	248	295	160	125	ATD-83
65	290	248	306	180	145	ATD-90
80	310	268	329	195	160	ATD-110
100	350	345	384	215/230	180/190	ATD-127
125	400	410	420	245/300	210/220	ATD-160
150	480	438	440	280/300	240/250	ATD-190
200	600	487	506	335/360	295/310	ATD-210

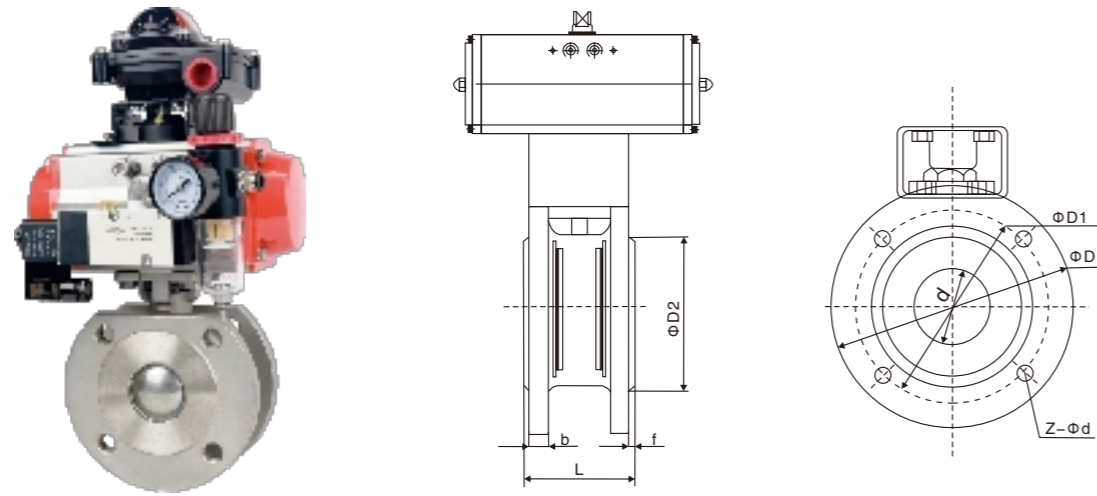


主要性能参数 Main Performance Parameters

所配置气动执行机构技术参数 Technical parameters of the configured pneumatic actuator		阀体主要技术参数 Main technical parameters of valve body	
气缸类型 Cylinder type	GT系列、AT系列、AW系列 GT series, AT series, AW series	阀门类型 Valve type	分体式浮动球阀 Split floating ball valve
作用方式 Work way	双作用活塞式、单作用弹簧复位式 Double acting piston type, single acting spring return type	阀门型号 Valve type	Q641F/N/PPL/H/Y/W
气源压力 Air pressure	4~8Bar	连接方式 Connection mode	法兰面RF FF RTJ等 Flange face RF FF RTJ etc
工作介质 Working medium	干燥、清洁不含腐蚀性气体 Dry and clean without corrosive gas	公称通径 Nominal diameter	DN15 ~ 200mm
工作温度 Working temperature	常温型: -20℃~80℃(丁腈橡胶O型圈) Room temperature type: -20 °C to 80 °C (nitrile rubber O-rings) 高温型: -20℃~160℃(氟橡胶O型圈) High temperature type: -20 °C to 160 °C (fluorine rubber O-rings)	公称压力 Nominal pressure	1.0~10.0MPa 150~600Lb
动作范围 Range of motion	0~90° ± 5°	阀体材质 Body material	铸钢、不锈钢 Cast steel, stainless steel 304/316/316L等 Etc
接口螺纹 Interface thread	GT52~GT83 G1/8" GT110~GT210 AT52~AT210 G1/4"	球体材质 Ball material	13Cr、不锈钢 Stainless steel 304/316/316L等 Etc
阀位信号 Valve position signal	定位器: 4~20mA/回信器: 全开全关信号 Locator: 4~20mA/reply: full ON/OFF signal	阀座密封 Seat tightness	RPTFE、NYLON、PPL、金属密封材料等 Metal sealing materials, etc
		适用温度 Suitable temperature	RPTFE ≤ 150℃、PPL ≤ 300℃、 金属密封 Metal seal ≤ 425℃
		适用介质 Applicable medium	水、蒸汽及油品等腐蚀性和非腐蚀性介质 Water, steam, oil corrosion and the corrosion medium, etc

主要外形连接尺寸 Main Outline Connection Dimension

DN (mm)	1.6MPa							2.5MPa							150Lb						
	L	D	D1	D2	b	f	n-φd	L	D	D1	D2	b	f	n-φd	L	D	D1	D2	b	f	n-φd
15	130	95	65	14	14	2	4-14	130	95	65	16	16	2	4-14	108	89	60.5	35	12	2	4-15
20	140	105	75	14	14	2	4-14	140	105	75	16	16	2	4-14	117	98	70	43	12	2	4-15
25	150	115	85	4	14	2	4-14	150	115	85	16	16	2	4-14	127	108	79.5	51	12	2	4-15
32	165	135	100	16	16	2	4-18	165	135	100	18	18	2	4-18	140	117	89	63	12	2	4-15
40	180	145	110	16	16	3	4-18	180	145	110	18	18	3	4-18	165	127	98.5	73	15	2	4-15
50	200	160	125	16	16	3	4-18	200	160	125	20	20	3	4-18	178	152	120.5	92	16	2	4-19
65	220	180	145	18	18	3	4-18	220	180	145	22	22	3	8-18	190	178	139.5	105	18	2	4-19
80	250	195	160	20	20	3	8-18	250	195	160	22	22	3	8-18	203	190	152.5	127	19	2	4-19
100	280	215	180	20	20	3	8-18	280	230	190	24	24	3	8-23	229	229	190.5	157	24	2	8-19
125	320	245	210	22	22	3	8-18	320	270	220	28	28	3	8-25	356	254	216	186	24	2	8-22
150	360	280	240	24	24	3	8-23	360	300	250	30	30	3	8-25	394	279	241.5	216	26	2	8-22
200	400	335	295	26	26	3	12-23	400	360	310	34	34	3	12-25	457	343	298.5	270	29	2	8-22

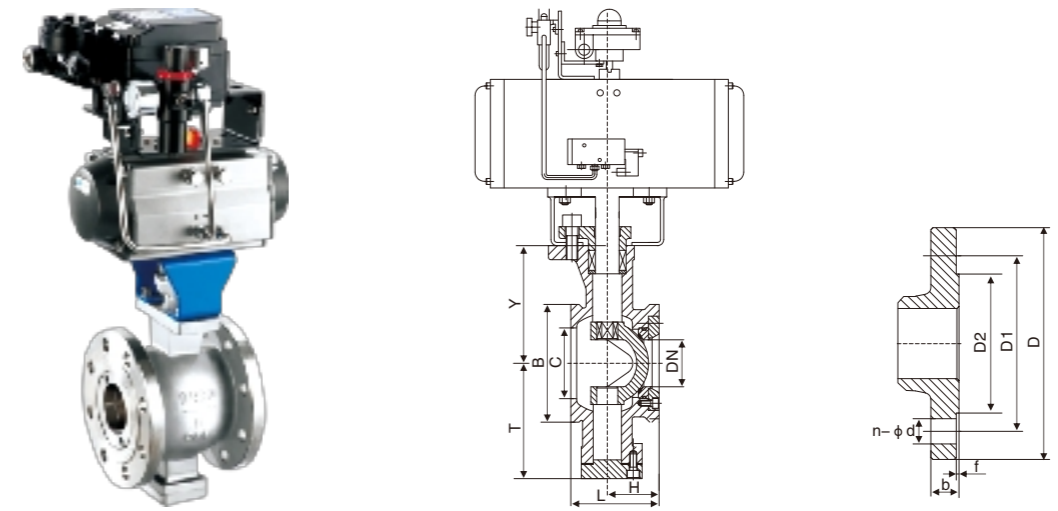


主要性能参数 Main Performance Parameters

公称通径DN(mm) Nominal diameter DN(mm)		15-150			
公称压力PN(MPa) Nominal pressure PN(MPa)		1.6		2.5	
公称压力PS(MPa) Nominal pressure PS(MPa)	强度试验 Strength test	2.4		3.75	
	密封试验 Seal test	1.8		2.75	
材料 Material	材料代号 Material code	C	P	R	
主要零件 Main parts	阀体 Body	WCB	ZG1Cr18Ni9Ti	ZG0Cr18Ni12Mo2Ti	
	球体 Sphere	WCB	ZG1Cr18Ni9Ti	ZG0Cr18Ni12Mo2Ti	
	阀杆 Valve stem	2Cr13	1Cr18Ni9Ti	0Cr18Ni12Mo2Ti	
	密封圈 Sealing ring	增强聚四氟乙烯 Enhanced PTFE		对位聚苯 Para polystyrene	
	填料 Packing	聚四氟乙烯 Teflon		柔性石墨 Flexible graphite	
适用工况 Applicable condition	适用介质 Applicable medium	水、蒸汽、油品 Water, steam, oil	硝酸类 Nitric acids	醋酸类 Acetic acid	
	适用温度 Suitable temperature	-28℃~250℃			
执行器 Actuator	型号 Model	GT系列 Series			
	气源压力 Air pressure	0.3-0.7MPa			
执行标准 Execution standard	设计制造 Design and manufacture	结构长度 Structural length	法兰尺寸 Flange size	压力温度 Pressure temperature	试验检验 Test test
	GBT/12237	GB12221	GB9113	GB9131	GB13927

主要外形连接尺寸 Main Outline Connection Dimension

DN(mm)	尺寸 (mm) Size (mm)							选配执行器型号 (仅供参考) Optional actuator type number (for reference only)
	L	D	D1	D2	b	f	Z-φd	
15	35	95	65	45	14	2	4-φ12	GTD-52
20	38	105	75	55	14		4-φ12	GTD-63
25	42	115	85	65	14		4-φ12	GTD-63
32	50	135	100	78	16		4-φ16	GTD-83
40	60	145	110	85	16	3	4-φ16	GTD-83
50	70	160	125	100	16		4-φ16	GTD-83
65	95	180	145	120	18		4/8-φ16	GTD-110
80	118	195	160	135	20		8-φ16	GTD-110
100	140	215	180	155	20		8-φ16	GTD-127
125	175	245	210	185	22		8-φ16	GTD-160
150	210	280	240	210	24		8-φ16	GTD-190

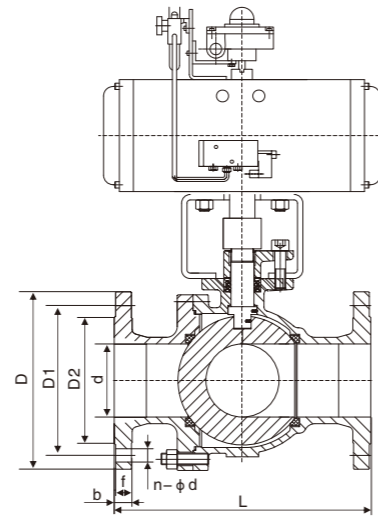


主要性能参数 Main Performance Parameters

所配置气动执行机构技术参数 Technical parameters of the configured pneumatic actuator		阀体主要技术参数 Main technical parameters of valve body	
气缸类型 Cylinder type	GT系列、AT系列、AW系列 GT series, AT series, AW series	阀门类型 Valve type	V型固定球阀 V type fixed ball valve
作用方式 Work way	双作用活塞式、单作用弹簧复位式 Double acting piston type, single acting spring return type	阀门型号 Valve type	QV677F/H/W/Y QV647
气源压力 Air pressure	4~8Bar	连接方式 Connection mode	对夹式、法兰式 Clamp type, flange type
工作介质 Working medium	干燥、清洁不含腐蚀性气体 Dry and clean without corrosive gas	公称通径 Nominal diameter	DN25 ~ 250mm
工作温度 Working temperature	常温型: -20℃~80℃(丁腈橡胶O型圈) Room temperature type: -20℃ to 80℃ (nitrile rubber O-rings) 高温型: -20℃~160℃(氟橡胶O型圈) High temperature type: -20℃ to 160℃ (fluorine rubber O-rings)	公称压力 Nominal pressure	1.0~1.6MPa
动作范围 Range of motion	0~90° ±5°	阀体材质 Body material	铸钢、不锈钢 Cast steel, stainless steel 304/316/316L等 Etc
接口螺纹 Interface thread	GT52~GT83 G1/8" GT110~GT210 AT52~AT210 G1/4"	球体材质 Ball material	13Cr、不锈钢 Stainless steel 304/316/316L等 Etc
阀位信号 Valve position signal	定位器: 4~20mA/回信器: 全开全关信号 Locator: 4~20mA/reply: full ON/OFF signal	阀座密封 Seat tightness	RPTFE、NYLON、PPL、金属密封材料等 Metal sealing materials, etc
		适用温度 Suitable temperature	RPTFE ≤ 150℃ 金属密封 Metal seal ≤ 425℃
		适用介质 Applicable medium	水、蒸汽及油品等腐蚀性和非腐蚀性介质 Water, steam, oil corrosion and the corrosion medium, etc

主要外形连接尺寸 Main Outline Connection Dimension

DN (mm)	对夹式 Clamp type				法兰式 Flange type						
	L	H	B	C	L	D	D1	D2	f	b	n-φd
25	50	30	68	38	102	115	85	65	2	14	4-φ14
32	60	35	76	45	102	135	100	78	2	18	4-φ18
40	60	35	84	50	114	145	110	85	3	18	4-φ18
50	75	43	100	62	124	160	125	100	3	18	4-φ18
65	100	50	118	73	145	180	145	120	3	18	8-φ18
80	100	57	132	90	165	195	160	135	3	20	8-φ18
100	115	65	158	115	194	215	180	155	3	20	8-φ18
125	129	78	184	134	194	245	210	185	3	22	8-φ18
150	160	95	216	164	229	280	240	210	3	24	8-φ23
200	200	120	268	206	243	335	295	285	3	28	12-φ25
250	240	148	326	260	297	405	355	320	3	30	12-φ25



主要性能参数 Main Performance Parameters

所配置气动执行机构技术参数 Technical parameters of the configured pneumatic actuator		阀体主要技术参数 Main technical parameters of valve body	
气缸类型 Cylinder type	GT系列、AT系列、AW系列 GT series, AT series, AW series	阀门类型 Valve type	T型、L型、浮动球 T, L, float ball
作用方式 Work way	双作用活塞式、单作用弹簧复位式 Double acting piston type, single acting spring return type	阀门型号 Valve type	Q644 Q645 Q614 Q615
气源压力 Air pressure	4~8Bar	连接方式 Connection mode	法兰式、内螺纹 Flange type, internal thread
工作介质 Working medium	干燥、清洁不含腐蚀性气体 Dry and clean without corrosive gas	公称口径 Nominal diameter	DN15~250mm
工作温度 Working temperature	常温型: -20℃~80℃(丁腈橡胶O型圈) Room temperature type: -20℃ to 80℃ (nitrile rubber O-rings) 高温型: -20℃~160℃(氟橡胶O型圈) High temperature type: -20℃ to 160℃ (fluorine rubber O-rings)	公称压力 Nominal pressure	1.6~2.5MPa
动作范围 Range of motion	0~90° ± 5°	阀体材质 Body material	铸钢、不锈钢304/316/316L等 Cast steel, stainless steel 304/316/316L, etc
接口螺纹 Interface thread	GT52~GT83 G1/8"	球体材质 Ball material	13Cr、不锈钢 Stainless steel 304/316/316L等 Etc
	GT110~GT210 AT52~AT210 G1/4"	阀座密封 Seat tightness	PTFE、PPL、金属材料密封等 Metal material seal, etc
阀位信号 Valve position signal	定位器: 4~20mA/回信器: 全开全关信号 Locator: 4~20mA/reply: full ON/OFF signal	适用温度 Suitable temperature	RPTFE ≤ 150℃ 金属密封 Metal seal ≤ 425℃
		适用介质 Applicable medium	水、汽及油品等腐蚀性和非腐蚀性介质 Water, steam, oil corrosion and the corrosion medium, etc

主要外形连接尺寸 Main Outline Connection Dimension

DN(mm)	法兰式连接尺寸 Flange connection dimensions								螺纹连接 Threaded connections	
	L	L1	D	D1	D2	b	f	n-φd	NPS	L
15	140	70	95	65	45	14	2	4-φ14	1/4"	64
20	160	80	105	75	55	14	2	4-φ14	3/8"	64
25	180	90	115	85	65	14	2	4-φ14	1/2"	68
32	200	100	135	100	78	16	2	4-φ18	3/4"	78
40	220	110	145	110	85	16	3	4-φ18	1"	86
50	240	120	160	125	100	16	3	4-φ18	1 1/4"	111
65	260	130	180	145	120	18	3	4-φ18	1 1/2"	126
80	280	140	195	160	135	20	3	8-φ18	2"	143
100	320	160	215	180	155	20	3	8-φ18		
125	380	190	245	210	185	22	3	8-φ18		
150	440	220	280	240	210	24	3	8-φ23		
200	550	260	335	295	265	26	3	12-φ23		
250	670	310	405	355	320	30	3	12-φ25		

可做NPT BSPT RC螺纹及定做非标螺纹标准
NPT BSPT can do RC thread and custom non-standard thread standards

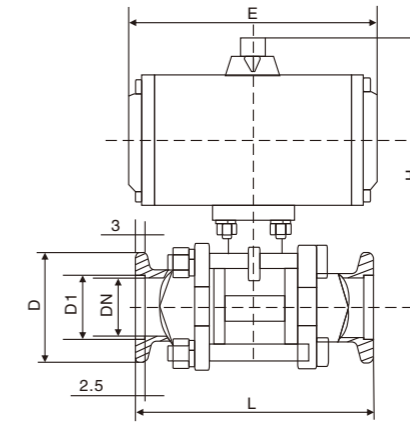


图1(Figure 1)

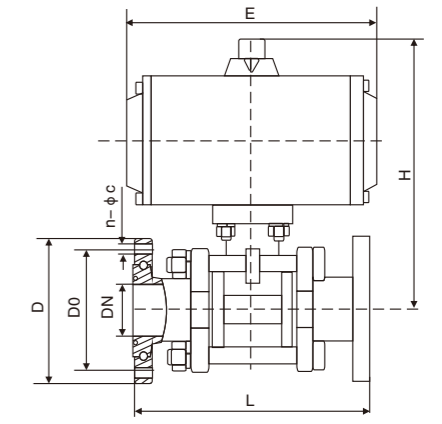


图2(Figure 2)

主要性能参数 Main Performance Parameters

所配置气动执行机构技术参数 Technical parameters of the configured pneumatic actuator		阀体主要技术参数 Main technical parameters of valve body	
气缸类型 Cylinder type	GT系列、AT系列、AW系列 GT series, AT series, AW series	阀门类型 Valve type	三片式球阀 Three-piece ball valve
作用方式 Work way	双作用活塞式、单作用弹簧复位式 Double acting piston type, single acting spring return type	阀门型号 Valve type	GUQ
气源压力 Air pressure	4~8Bar	适用范围 Scope of application	活套法兰 Live flange GB6070 0.6 × 10 ⁶ ~1.3 × 10 ⁴
工作介质 Working medium	干燥、清洁不含腐蚀性气体 Dry and clean without corrosive gas		焊接法兰 Welding flange GB6070 1.6 × 10 ⁶ ~1.3 × 10 ⁴
工作温度 Working temperature	常温型: -20℃~80℃(丁腈橡胶O型圈) Room temperature type: -20℃ to 80℃ (nitrile rubber O-rings) 高温型: -20℃~160℃(氟橡胶O型圈) High temperature type: -20℃ to 160℃ (fluorine rubber O-rings)		快卸法兰 Quick-release flange GB4982 0.1 × 10 ⁶ ~1.3 × 10 ⁴
动作范围 Range of motion	0~90° ± 5°	阀体材质 Body material	螺纹连接 Threaded connections 1.6 × 10 ⁶ ~1.3 × 10 ⁴
接口螺纹 Interface thread	GT52~GT83 G1/8"	阀座密封 Seat tightness	不锈钢304/316/316L等 Stainless steel 304/316/316L etc
	GT110~GT210 AT52~AT210 G1/4"	适用温度 Suitable temperature	RPTFE
阀位信号 Valve position signal	定位器: 4~20mA/回信器: 全开全关信号 Locator: 4~20mA/reply: full ON/OFF signal	适用介质 Applicable medium	PTFE ≤ 150℃
			空气 Air

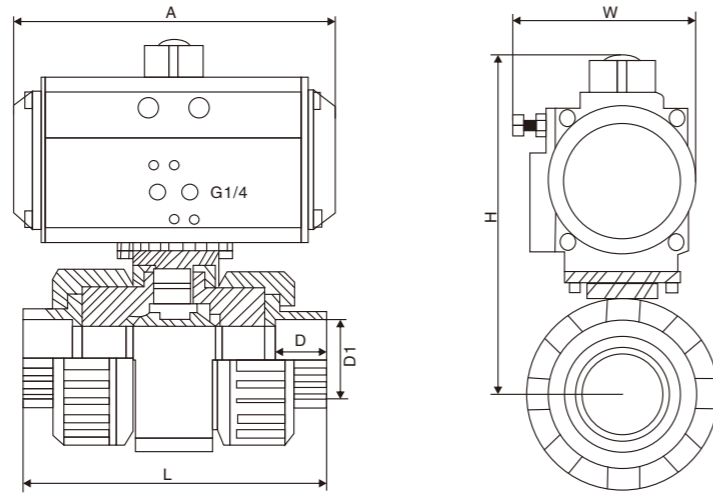
主要外形连接尺寸 Main Outline Connection Dimension

快卸法兰连接 Quick release flange connection(GB4982、ISO-KF)图1(Figure 1)

型号 Model	DN	D	D1	H	E	L
GUQ-10KF	10	30	12.2	130	94	94
GUQ-16KF	16	30	17.2	141	104	104
GUQ-25KF	25	40	26.2	141	140	114
GUQ-32KF	32	55	34.2	150	140	140
GUQ-40KF	40	55	41.2	175	140	160
GUQ-50KF	50	75	52.2	200	164	170

活套法兰连接 Loop flange connection(GB6070)图2(Figure 2)

型号 Model	DN	D	D0	H	E	L	n-φc
GUQ-10F	10	55	40	130	105	94	4-φ6.6
GUQ-16F	16	60	45	141	130	104	4-φ6.6
GUQ-25F	25	70	55	141	165	114	4-φ6.6
GUQ-32F	32	90	70	150	165	140	4-φ9
GUQ-40F	40	100	80	175	190	160	4-φ9
GUQ-50F	50	110	90	200	190	170	4-φ9
GUQ-63F	63	130	110	245	250	195	4-φ9
GUQ-80F	80	145	125	351	250	203	8-φ9
GUQ-100F	100	165	145	370	280	280	8-φ9
GUQ-150F	150	225	200	434	368	362	8-φ11
GUQ-200F	200	285	260	490	410	400	12-φ11



特点 Features

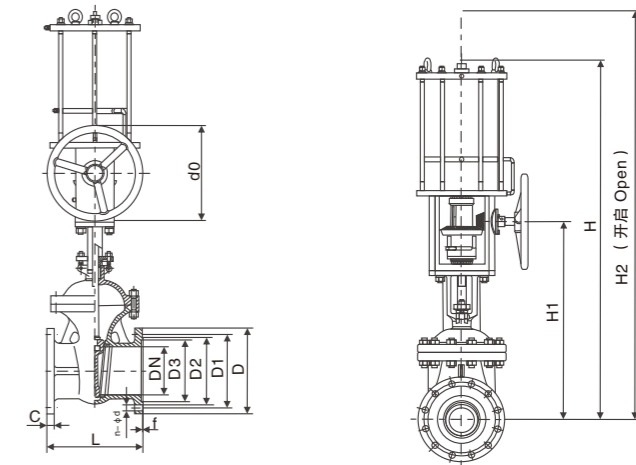
- | | |
|---|---|
| <ul style="list-style-type: none"> 1、超低扭矩，美观、高强度、耐腐蚀，长寿命 2、全流量，PTFE球密封，低扭矩 3、可使用手柄调节阀座松紧 4、松开由令，中部仍是完整阀门，可更换 5、提供附带平台预埋铜质螺母产品 6、方便加装自动执行器 | <ul style="list-style-type: none"> 1. Ultra low torque beautiful high strength and corrosion resistant of long-lived 2. Full flow, PTFE ball sealing, low torque 3. Can use the handle regulating valve seat tightness 4. Released by the central section is still intact, valves, replaceable 5. To provide supplementary platform embedded copper nut products 6. Convenient automatic actuator |
|---|---|

主要性能参数 Main Performance Parameters

规格 Specifications	DN15-DN100(1/2"-4")
工作压力 Working pressure	10kg/cm ²
材质 Material	PVC、CPVC、PPG/FRPP、PPH
标准 Standard	GB、DIN、ANSI、JIS
	台湾地区(Taiwan area) CNS、PT、NPT

主要外形连接尺寸 Main Outline Connection Dimension

DN(mm)	规格尺寸代号 压力:1.6MPa 单位:mm Specification size code pressure: 1.6MPa unit :mm					
	A	L	H	W	D1	D
15	110	112	105	46	20.25	31
20	110	132	113	70	25.25	37
25	122	144	125	70	32.25	44
32	147	167	144	76.5	40.25	54
40	147	172	155	76.5	50.25	65
50	168	206	181	88	63.25	79
65	184	273	210	100	75.25	92
80	204	303	239	108	90.35	108
100	262	333	261	113.5	110.35	146

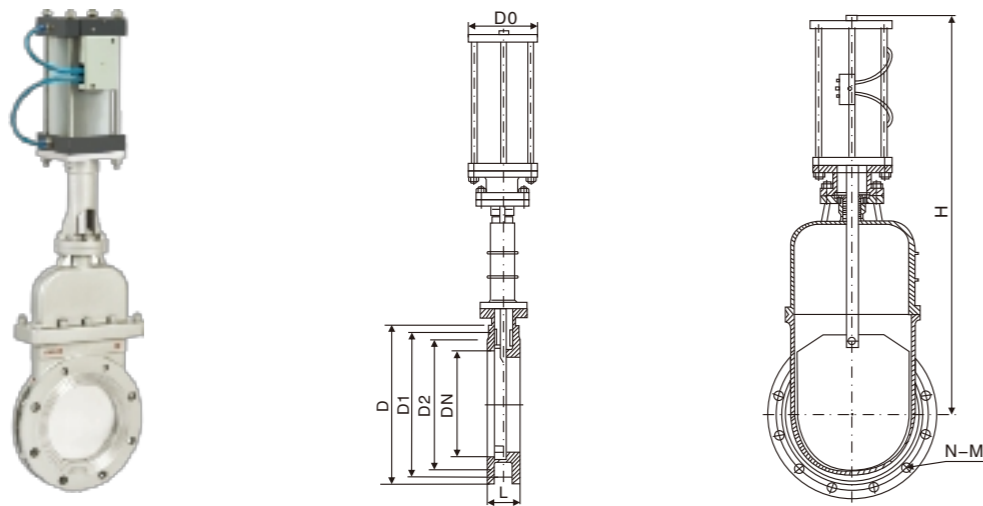


主要性能参数 Main Performance Parameters

公称通径 Nominal diameter	DN50-800 mm
公称压力 Nominal pressure	PN1.6、2.5、4.0、6.4、10.0MPa
连接方式 Connection mode	法兰式 Flange type
控制方式 Control mode	气动控制 (气源驱动) Pneumatic control (air source driven)
温度范围 Temperature range	-29℃ ~ 550℃
供气压力 Air supply pressure	双作用: 2-8bar/单作用 4-8bar Double action: 2-8bar/ single action: 4-8bar
阀体材质 Body material	铸钢, 不锈钢304, 316, 316L Cast steel, stainless steel 304,316,316 L
手动功能 Manual function	可配手轮 Can match the handwheel

主要外形连接尺寸 Main Outline Connection Dimension

DN(mm)	外形尺寸 Overall dimensions					连接尺寸 Connection size					
	L	H	H1	H2	Φd0	D	D1	D2	C	f	n-Φd
50	250	790	420	840	180	165	125	99	20	3	4-18
80	280	910	460	990	200	200	160	132	20	3	8-18
100	300	1050	560	1150	250	220	180	156	22	3	8-18
150	350	1240	660	1390	320	285	240	211	24	3	8-22
200	400	1520	810	1720	400	340	295	266	24	3	12-22
250	450	1700	930	1950	400	405	355	319	26	3	12-26
300	500	1930	1090	2230	450	460	410	370	28	4	12-26
350	550	2160	1230	2510	450	520	470	429	30	4	16-26
400	600	2330	1360	2730	500	580	525	480	32	4	16-30
450	650	2540	1510	2990	500	640	585	548	34	4	20-30
500	700	2750	1660	3250	550	715	650	609	36	4	20-33
600	800	3080	1910	3680	550	840	770	720	38	5	20-36
700	900	3570	2200	4270	600	910	840	794	40	5	24-36
800	1000	-	-	-	-	1025	950	901	42	5	24-39



执行标准 Execution Standard

设计规范 Design specification	结构长度 Structural length	连接法兰 Connecting flange	试验与检验 Test and inspection
JB/T8691-1998	JB/T15188.2-94	GB/T9113.1-2000 JB/T79-94	GB/T13927-92

主要零件材料 Main Parts and Materials

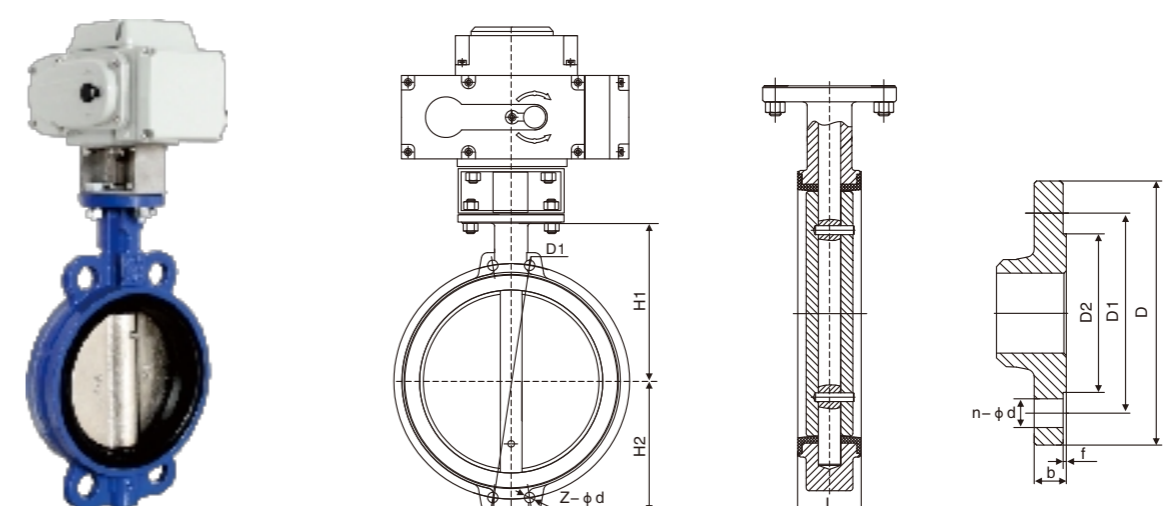
阀体、上盖 Body and cover	碳钢、不锈钢 Carbon steel, stainless steel
闸板 Ram	不锈钢 Stainless steel
阀杆 Stem	不锈钢 Stainless steel
密封圈 Sealing ring	橡胶、四氟、不锈钢、硬质合金 Rubber, teflon, stainless steel, hard alloy

性能规范 Performance Specification

公称压力 Nominal pressure	PN
壳体试验 Shell test	1.5XPN
密封试验 Sealing test	1.1XPN
工作温度 Working temperature	橡胶 ≤80℃ 四氟密封 ≤180℃ 硬密封 ≤425℃ 80℃ or less four fluorine rubber seal 180℃ or less hard seal 425℃ or less
适用介质 Applicable medium	纸浆、污水、煤气等 Pulp, sewage, gas, etc

主要外形连接尺寸 Main Outline Connection Dimension

PN(MPa)	DN(mm)	L	D	D1	D2	H	N-M	D0
1.0	150	70	280	240	210	730	8-M20	280
	200	80	335	295	265	910	8-M20	360
	250	85	390	350	320	1050	12-M20	360
	300	100	440	400	368	1265	12-M20	400
	350	100	500	460	428	1470	16-M20	400
	400	110	565	515	482	1630	16-M22	400
	450	120	615	565	532	1810	20-M22	530
	500	130	670	620	585	1970	20-M22	530
	600	140	780	725	685	2290	20-M27	600
	700	165	895	840	800	2560	24-M27	600
800	190	1010	950	905	2990	24-M30	680	
900	200	1110	1050	1005	3200	28-M30	680	
1000	-	1230	1160	1112	3800	28-M33	-	

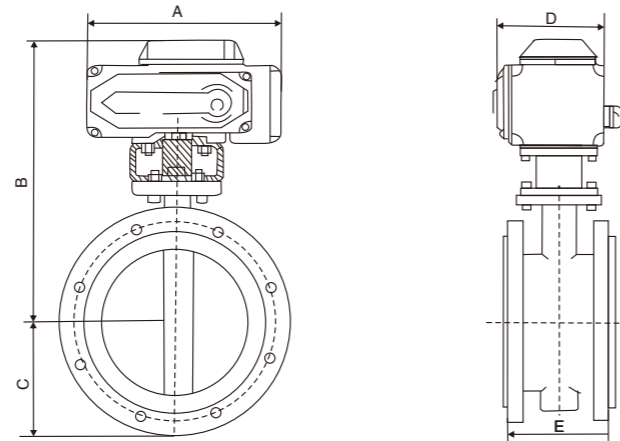


主要性能参数 Main Performance Parameters

所配置电动执行机构技术参数 Technical parameters of the configured electric actuator		阀体主要技术参数 Main technical parameters of valve body	
执行电源 Execute the power	AC220V AC110V AC380V DC24V	阀门类型 Valve type	中线式软密封蝶阀 Middle line soft seal butterfly valve
输出扭矩 Output torque	30N.M ~ 2000N.M	阀门型号 Valve type	D971X/F D941X/F
动作范围 Range of motion	0~90° ±5°	连接方式 Connection mode	对夹式、法兰式等 Clamp type, flange type, etc
动作时间 Action time	15秒/30秒/60秒/100秒 15 s / 30 s / 100 s / 60 s	公称通径 Nominal diameter	DN 50 ~ 400mm
环境温度 Ambient temperature	-30℃ ~ 60℃	公称压力 Nominal pressure	1.0~2.5MPa
手动操作 Manual operation	附带手动操作 Manual operation included	阀体材质 Body material	铸铁、球墨铸铁、铸钢、不锈钢等 Cast iron, ductile iron, cast steel, stainless steel, etc
执行限位 Perform limit	电气、机械二重限位 Electrical and mechanical double limit	蝶板材质 Butterfly material	球墨铸铁、铸钢、不锈钢、铜等 Ductile iron, cast steel, stainless steel, copper, etc
防护等级 Protection grade	IP67	阀座密封 Seat tightness	NBR、EPDM、PTFE及氟橡胶等 And fluorine rubber, etc
输入信号 Input signal	4 ~ 20mA/1-5VDC	适用温度 Suitable temperature	NBR、EPDM ≤80℃ PTFE ≤120℃
任选功能 Optional function	开关型、触点型、开度信号、智能调节型 Switch type, contact type, open degree signal, intelligent control type	适用介质 Applicable medium	水、蒸汽及油品等腐蚀性和非腐蚀性介质 Water, steam, oil corrosion and the corrosion medium, etc

主要外形连接尺寸 Main Outline Connection Dimension

DN	对夹式 Clamp type							法兰式 Flange type									
	1.6MPa				150Lb			DN	1.6MPa								
	L	H1	H2	D1	4-M(d)	D1	4-M(d)		L	H1	H2	D	D1	D2	b	f	n-φd
50	43	160	80	125	4-φ19	120.5	4-φ19	100	127	240	120	220	180	156	24	3	8-φ19
65	46	175	88	145	4-φ19	139.5	4-φ19	125	140	270	130	250	210	184	24	3	8-φ19
80	46	180	96	160	4-φ19	152.5	4-φ19	150	140	300	150	285	240	211	26	3	8-φ23
100	52	200	115	180	4-φ19	190.5	4-φ19	200	152	330	180	340	295	255	28	3	12-φ23
125	56	215	130	210	4-φ19	216	4-φ22	250	250	400	220	405	355	319	28	4	12-φ28
150	56	225	140	240	4-φ23	241.5	4-φ22	300	270	410	220	460	410	370	28	4	12-φ28
200	60	260	175	295	4-φ23	298.5	4-φ22	350	290	460	270	520	470	429	30	4	16-φ28
250	68	290	200	350	4-φ28	362	4-φ25	400	310	510	290	580	525	480	30	4	16-φ31
300	78	330	240	410	4-φ28	432	4-φ25	450	330	560	320	640	585	548	34	4	20-φ31
350	78	360	265	470	4-φ28	476	4-φ28	500	350	590	360	715	650	609	34	4	20-φ37
400	102	390	300	525	4-φ31	540	4-φ28	600	390	660	390	840	770	720	35	5	20-φ37

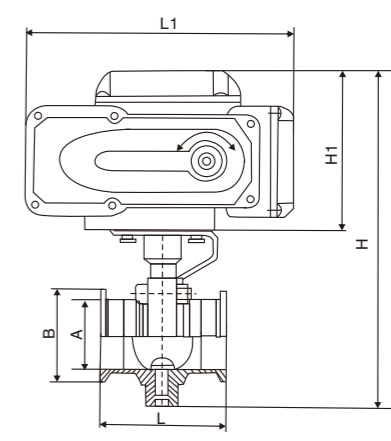


主要性能参数 Main Performance Parameters

所配置电动执行机构技术参数 Technical parameters of the configured electric actuator		阀体参数 Valve body parameters	
电源 Power Supply	AC110、220、380V/DC24、220V	公称通径 Nominal diameter	DN40~500mm
输出力矩 Output torque	50N·m~2000N·m	公称压力 Nominal pressure	PN1.0、1.6MPa
任选功能 Optional function	开关型、触点型、开度信号、智能型 Switch type, contact type, opening signal, intelligent type	阀轴材质 Valve shaft material	碳素钢、304/316/316L不锈钢 Carbon steel, 304/316/316L stainless steel
动作范围 Range of motion	0~90° ±5°	阀体材质 Body material	球墨铸铁、碳素钢、不锈钢 Ductile Iron, Carbon Steel, Stainless Steel
动作时间 Action time	30秒/60秒 30 s /60 s	球板材质 Material of ball plate	球墨铸铁、304/316/316L不锈钢、尼龙 Ductile Iron, 304/316/316L Stainless steel, nylon
环境温度 Ambient temperature	-30℃~+60℃	阀座密封 Seat Tightness	EPDM、NBR、耐磨橡胶 EPDM, NBR, Wear resistant rubber
手动操作 Manual operation	附带手柄操作 Accessory handle operation	结构形式 Structural style	中线型、无销型 Medium-line type, non-pin type
限位 Limit	电气、机械二重限位 Electrical and mechanical double limit	温度 Temperature	EPDM≤80℃; NBR≤68℃
防护等级 Protection level	IP-67(防爆外壳; Exd II BT4IP67可选) IP-67 (Explosion-proof Shell: Exd II BT4IP67 Optional)	适用介质 Applicable medium	水、空气、天然气 Water, air and natural gas
输入信号 Input signal	0-10,1-5VDC/4-20mA(智能型) 0-10,1-5VDC/4-20mA (Intelligent)	特点 Characteristic	用途广、整体造价低、流量大、流阻小 Wide use, low overall cost, large flow and small flow resistance

主要外形连接尺寸 Main Outline Connection Size

公称通径 Nominal diameter	A	B	C	D	E	额定功率 Rated power	额定电流 Rated current
压力 Pressure	1.0/1.6	1.0/1.6	1.0/1.6	1.0/1.6	1.0/1.6		
40	155	349	57	104	108	15W	0.2A
50	155	353	62	104	108	15W	0.2A
65	155	362	70	104	112	15W	0.2A
80	155	368	89	104	114	15W	0.2A
100	208	392	106	115	127	25W	0.5A
125	208	407	120	115	140	25W	0.5A
150	208	446	132	115	140	25W	0.5A
200	256	489	164	127	152	50W	0.8A
250	256	514	200	127	165	50W	0.8A
300	256	568	238	127	178	90W	1.0A
350	288	629	280	164	190	150W	1.2A
400	288	662	302	164	216	150W	1.2A
450	288	693	335	164	222	150W	1.2A
500	288	729	360	164	229	150W	1.2A

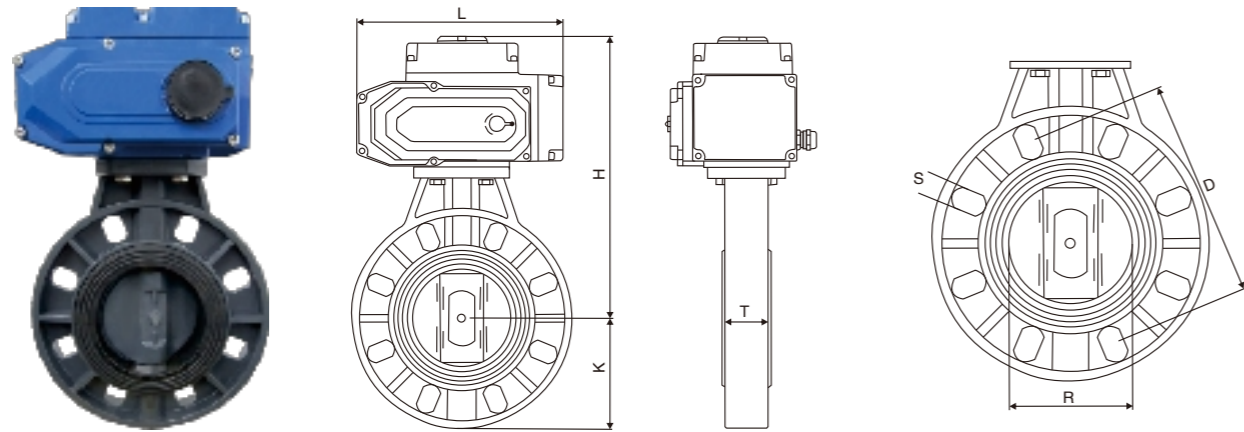


主要性能参数 Main Performance Parameters

公称通径 Nominal diameter	DN(mm)	19 ~ 102		
公称压力 Nominal pressure	PN(MPa)	0.6	1.0	1.6
试验压力 Test pressure	强度试验 strength test	0.9	1.5	2.4
	密封试验 Seal test	0.66	1.1	1.76
	气密封试验 Gas seal test	0.6	0.6	0.6
适用介质 Applicable medium	空气、水、蒸气、油品等 Air, water, steam, oil, etc			
驱动形式 Driving form	手动、蜗杆蜗轮传动、气传动、电传动 Manual, Worm and Worm Wheel Drive, Pneumatic Drive and Electrical Drive			
连接方式 Connection mode	快装式、卡箍式、外螺纹、焊接式等 Fast-loading type, clamp type, external thread, welding type, etc			

主要外形连接尺寸 Main Outline Connection Size

规格 Specifications	A	B	H	H1	L	L1	重量 Weight(Kg)
Φ19	16.1	50.5	237	132	66	178	3.9
Φ25	22.4	50.5	237	132	66	178	3.8
Φ32	28.8	50.5	237	132	66	178	3.7
Φ38	35.1	50.5	237	132	70	178	3.8
Φ51	47.8	64	262	132	70	178	4.1
Φ63	59.5	77	277	132	76	178	4.5
Φ76	72.2	91	287	132	80	178	4.8
Φ89	85	106	300	132	84	178	5.5
Φ102	97.6	119	317	132	85	178	6

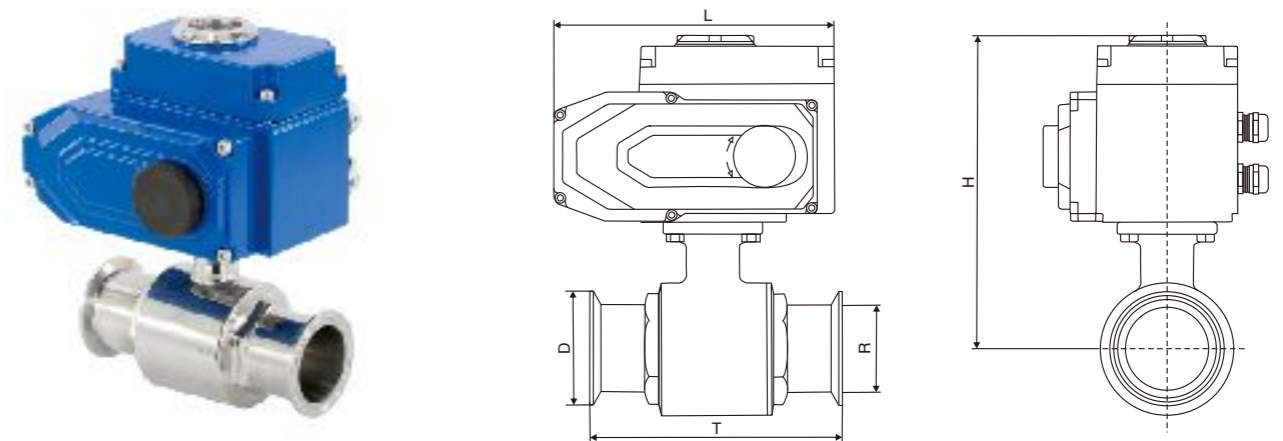


主要性能参数 Main Performance Parameters

公称口径Nominal diameter(mm)	DN40~DN300
连接方式 Connection mode	对夹 Pair clip
阀体材质 Body material	UPVC(-10℃~70℃)、CPVC(-40℃~95℃)、RPP(-14℃~100℃)、PVDF(-40℃~140℃)
阀芯材质 Spool material	UPVC(-10℃~70℃)、CPVC(-40℃~95℃)、RPP(-14℃~100℃)、PVDF(-40℃~140℃)
密封材质 Sealing material	PTEF、EPDM、NBR
适用介质 Applicable medium	PVC的兼容食品工业化学溶剂 Compatible chemical solvents for food industrialization of PVC

主要外形连接尺寸 Main Outline Connection Size

公称口径 Nominal diameter	L	T	H	K	R	S	D	电动执行器配型 Electric actuator configuration
DN40	170	42	232	79.5	45.3	4*Φ18	110	AZ-05
DN50	170	42	241	82.5	56.5	4*Φ18	125	AZ-05
DN65	170	44.7	252	92.5	69.5	4*Φ18	145	AZ-05
DN80	170	45	264	100	79.5	8*Φ18	160	AZ-05
DN100	210	51.2	296	114.5	102.5	8*Φ18	180	AZ-10
DN125	210	54.4	324	128.5	130	8*Φ18	210	AZ-15
DN150	255	55	375	142.5	152	8*Φ18	240	AZ-20
DN200	255	58.8	416	171.5	203	8*Φ23	295	AZ-40
DN250	255	65.7	470	205.5	255	8*Φ23	350	AZ-60
DN300	300	76	528	245	309.5	12*Φ23	400	AZ-100

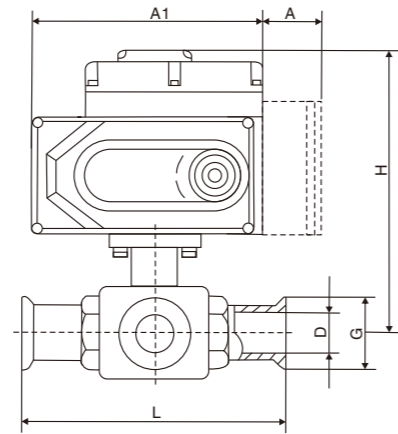


主要性能参数 Main Performance Parameters

阀体形式 Type of body	二通式 Two general formula
公称口径 Nominal diameter	DN15 ~ 100mm
公称压力 Nominal pressure	PN1.0MPa
连接形式 Connection form	快装式(卡箍式)、焊接式、螺纹式 Fast-loading (clamp type), welding type and threaded type
适用温度 Applicable temperature	PTFE≤180℃
适用介质 Applicable medium	啤酒、葡萄酒、生物工程、食品、制药、饮料、乳品等 Beer, Wine, Bioengineering, Food, Pharmaceutical, Beverage, Dairy, etc
产品特点 Product characteristics	安全卫生、密封好、使用寿命长 Safety and hygiene, good sealing and long service life

主要外形连接尺寸 Main Outline Connection Size

公称口径 Nominal diameter	尺寸标注代号 压力: 1.6MPa 单位: mm Dimension labeling code pressure: 1.6 MPa unit: mm					电动执行器配型 Electric actuator configuration
	L	H	T	R	D	
DN15	160	147	100	19	50.5	AX-05B
DN20	160	147	105	25	50.5	AX-05B
DN25	160	153	120	32	50.5	AX-05B
DN32	200	193	136	38	50.5	AX-10B
DN40	200	196	160	51	64	AX-10B
DN50	200	225	170	63	77	AX-10B
DN65	252	260	196	76	91	AX-20B
DN80	252	288	235	89	106	AX-40B
DN100	252	333	270	102	119	AX-60B

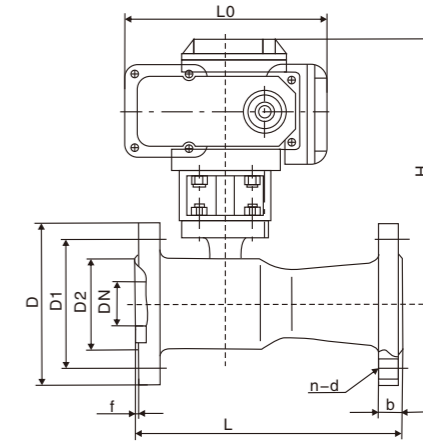


主要性能参数 Main Performance Parameters

阀体形式 Type of body	三通式 Three general formula
公称通径 Nominal diameter	DN15 ~ 102mm
公称压力 Nominal pressure	PN1.0MPa
连接形式 Connection form	快装式(卡箍式)、焊接式、螺纹式 Fast-loading (clamp type), welding type and threaded type
适用温度 Applicable temperature	PTFE ≤ 180℃
适用介质 Applicable medium	啤酒、葡萄酒、生物工程、食品、制药、饮料、乳品等 Beer, Wine, Bioengineering, Food, Pharmaceutical, Beverage, Dairy, etc.
产品特点 Product characteristics	安全卫生、密封好、使用寿命长 Safety and hygiene, good sealing and long service life

主要外形连接尺寸 Main Outline Connection Size

口径 Size	15	20	25	32	38	51	63	76	89	102
D	12.7	17.2	25	31.8	35.6	48.6	60.3	72.9	88.9	101.6
G	34	50.5	50.5	50.5	50.5	64	77.5	91	106	119
L	50	50	60	65	75	100	105	110	130	160
L1	100	100	120	130	150	200	210	220	260	320
H	115	115	147	150	152	172	192	197	224	232
A	115	115	161	161	161	188	188	188	267	567
A1	40	40	40	40	40	40	40	40	40	40

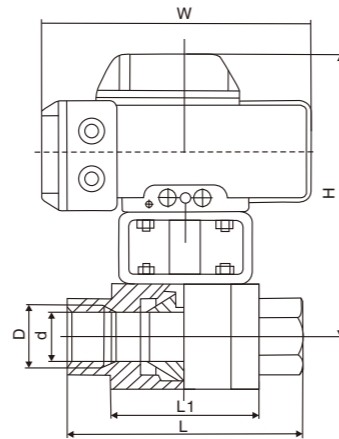


主要性能参数 Main Performance Parameters

公称通径 Nominal diameter (mm)	DN15~DN250
公称压力 Nominal pressure	1.6、4.0、6.4MPa、ANSI 150/300(Lb)、JIS10/20K
适用介质 Applicable medium	水、石油、硝酸类、醋酸类、粘性流体、浆料、强氧化性介质等 Water, petroleum, nitric acid, acetic acid, viscous fluid, slurry, strong oxidizing medium, etc.
介质温度 Medium temperature	-40~+180℃ -40~+350℃
泄漏量 Leakage quantity	零泄漏(符合ANSI B16.104 V级标准) Zero leakage (in accordance with ANSI B16.104 V level standard)
球体转角 Corner of sphere	90°
阀体材质 Body material	A105、F304、F316、WCB、FZG1Cr18Ni9Ti、ZG1Cr18Ni12Mo2Ti、CF8、CF8M、CF3M
阀座材料 Seat material	聚四氟乙烯(常温)、特制PPL (高温) Polytetrafluoroethylene (normal temperature), special PPL (high temperature)

主要外形连接尺寸 Main Outline Connection Size

公称通径 DN(mm) Nominal diameter	尺寸 Size (mm)						
	L	D	D1	D2	b	f	n-d
15	108	95	65	45	14	2	4-14
20	117	105	75	55	14		4-14
25	127	115	85	65	14		4-14
32	140	135	100	78	16		4-18
40	165	145	110	85	16	3	4-18
50	178	160	125	100	16		4-18
65	190	180	145	120	18		4-18
80	203	195	160	135	20		8-18
100	305	215	180	155	20		8-18
125	256	245	210	185	22		8-18
150	394	280	240	210	24		8-23
200	457	335	295	265	26		12-23
250	533	405	335	320	30	12-25	

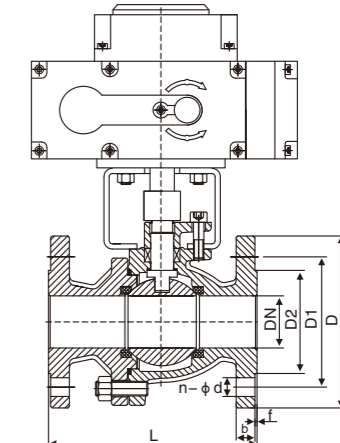


主要性能参数 Main Performance Parameters

公称口径 Nominal diameter	DN8 ~ DN50 mm
公称压力 Nominal pressure	PN10.0、16.0、20.0、25.0MPa
连接方式 Connection mode	法兰式、螺纹连接 Flanged and threaded connection
阀体形式 Type of body	三段式锻造阀体 Three-stage forged valve body
电源电压 Supply voltage	AC110V、AC220V、AC380V (其他定制DC24等) AC110V, AC220V, AC380V (other customized DC24, etc.)
动作范围 Range of motion	0 ~ 90°
阀芯结构 Valve core structure	O型球体阀芯 O-Spherical Valve Core
适用介质 Applicable medium	水、蒸汽、环保处理、腐蚀性介质等 Water, steam, environmental protection treatment, corrosive media, etc
阀体材质 Body material	碳钢、不锈钢304、316 Carbon steel, stainless steel 304, 316
控制方式 Control mode	开关切断式(两位开关控制)、智能调节型(4-20mA模拟信号) Switch-off (two-switch control) and intelligent regulation (4-20mA analog signal)

主要外形连接尺寸 Main Outline Connection Size

公称口径 Nominal diameter	Q11N-100/160、Q11N、100/160P						Q11N-320、Q11N-320P				
	管螺纹 Pipe thread	尺寸 Size(mm)					管螺纹 Pipe thread	尺寸 Size(mm)			
		d	L	H	W	E		H	W	SW	L
8	1/4"	11	70	43	108	42.5	-	-	-	-	70
10	3/8"	11	70	43	108	42.5	-	-	-	-	-
15	1/2"	11	85	43	108	42.5	1/2"	66	130	41	85
20	3/4"	14	95	45.5	146	47.5	3/4"	77	180	46	95
25	1"	21	105	59.5	146	52.5	1"	82	180	55	105
32	1 1/4"	25	120	64.5	146	60	1 1/4"	115	300	70	120
40	1 1/2"	32	130	76	254	65	1 1/2"	120	300	80	130
50	2"	38	150	81	254	75	2"	130	300	100	150

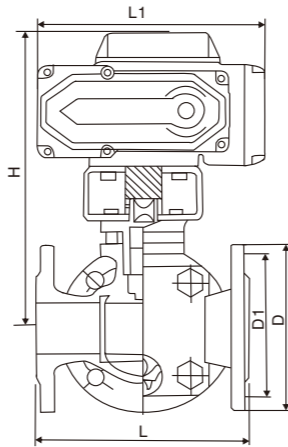


主要性能参数 Main Performance Parameters

所配置电动执行机构技术参数 Technical parameters of the configured electric actuator		阀体主要技术参数 Main technical parameters of valve body	
执行电源 Executive power supply	AC220V AC110V AC380V DC24C	阀门类型 Valve type	分体式浮动球阀 Split floating ball valve
输出扭矩 Output torque	30N.M ~ 2000N.M	阀门型号 Valve type	Q941F/N/PPL/H/Y/W
动作范围 Range of motion	0~90° ±5°	连接方式 Connection mode	法兰面RF FF RTJ等 Flange RF FF RTJ, etc.
动作时间 Action time	15秒/30秒/60秒/100秒 15 seconds/30 seconds/60 seconds/100 seconds	公称口径 Nominal diameter	DN15 ~ 200mm
环境温度 Ambient temperature	-30℃ ~ 60℃	公称压力 Nominal pressure	1.0~10.0MPa 150~600Lb
手动操作 Manual operation	附带手动操作 Incidental manual operation	阀体材质 Body material	铸钢、不锈钢304/316/316L等 Cast steel, stainless steel 304/316/316L, etc
执行限位 Execution limit	电气、机械二重限位 Electrical and mechanical double limit	球体材质 Ball Body material	13Cr、不锈钢304/316/316L等 13Cr, 304/316/316L stainless steel, etc
防护等级 Protection level	IP67	阀座密封 Seat Tightness	RPTFE、NYLON、PPL、金属密封材料等 RPTFE, NYLON, PPL, metal sealing materials, etc
输入信号 Input signal	4 ~ 20mA/1-5VDC	适用温度 Applicable temperature	RPTFE ≤ 150℃, PPL ≤ 300℃, 金属密封 ≤ 425℃ RPTFE < 150 C, PPL < 300 C, metal seal < 425 C
任选功能 Optional function	开关型、触点型、开度信号、智能调节型 Switch type, contact type, opening signal, intelligent regulation type	适用介质 Applicable medium	水、蒸汽及油品等腐蚀性和非腐蚀性介质 Corrosive and non-corrosive media such as water, steam and oil

主要外形连接尺寸 Main Outline Connection Size

口径 Size DN	1.6MPa						2.5MPa						150Lb								
	L	D	D1	D2	b	f	n-φd	L	D	D1	D2	b	f	n-φd	L	D	D1	D2	b	f	n-φd
15	130	95	65	14	14	2	4-14	130	95	65	16	16	2	4-14	108	89	60.5	35	12	2	4-15
20	140	105	75	14	14	2	4-14	140	105	75	16	16	2	4-14	117	98	70	43	12	2	4-15
25	150	115	85	4	14	2	4-14	150	115	85	16	16	2	4-14	127	108	79.5	51	12	2	4-15
32	165	135	100	16	16	2	4-18	165	135	100	18	18	2	4-18	140	117	89	63	12	2	4-15
40	180	145	110	16	16	3	4-18	180	145	110	18	18	3	4-18	165	127	98.5	73	15	2	4-15
50	200	160	125	16	16	3	4-18	200	160	125	20	20	3	4-18	178	152	120.5	92	16	2	4-19
65	220	180	145	18	18	3	4-18	220	180	145	22	22	3	8-18	190	178	139.5	105	18	2	4-19
80	250	195	160	20	20	3	8-18	250	195	160	22	22	3	8-18	203	190	152.5	127	19	2	4-19
100	280	215	180	20	20	3	8-18	280	230	190	24	24	3	8-23	229	229	190.5	157	24	2	8-19
125	320	245	210	22	22	3	8-18	320	270	220	28	28	3	8-25	356	254	216	186	24	2	8-22
150	360	280	240	24	24	3	8-23	360	300	250	30	30	3	8-25	394	279	241.5	216	26	2	8-22
200	400	335	295	26	26	3	12-23	400	360	310	34	34	3	12-25	457	343	298.5	270	29	2	8-22

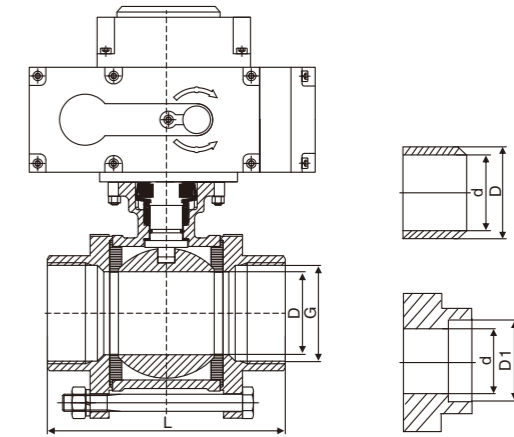


主要性能参数 Main Performance Parameters

所配置电动执行机构技术参数 Technical parameters of the configured electric actuator		阀体参数 Body parameters	
电源 Power Supply	AC110、220、380V/DC24、220V	公称直径 Nominal diameter	DN15~200mm
输出力矩 Output torque	50N·m~2000N·m	公称压力 Nominal pressure	PN1.6、2.5、4.0、6.4MPa
任选功能 Optional function	开关型、触点型、开度信号、智能型 Switch type, contact type, opening signal, intelligent type	阀轴材质 Valve shaft material	不锈钢 Stainless steel
动作范围 Range of motion	0~90° ±5°	阀体材质 Body material	球墨铸铁、碳钢、304/316/316L不锈钢 Ductile Iron, Carbon Steel, 304/316/316L Stainless Steel
动作时间 Action time	15秒/30秒/60秒 15s/30s/60s	球体材质 Ball Body material	304/316/316L不锈钢 Stainless Steel
环境温度 Ambient temperature	-30℃~60℃	阀座密封 Seat tightness	PTFE、PPL、金属密封 Metal Seal
手动操作 Manual operation	附带手柄操作 Accessory handle operation	温度 Temperature	PTFE ≤ 180℃、PPL ≤ 350℃、金属密封 ≤ 450℃ PTFE < 180 C, PPL < 350 C, metal seal < 450 C
限位 Limit	电气、机械二重限位 Electrical and mechanical double limit	适用介质 Applicable medium	水、石油、硝酸类、醋酸类、粘性流体、浆料、 强氧化性介质等 Water, petroleum, nitric acid, acetic acid, viscous fluid, slurry, strong oxidizing medium, etc.
防护等级 Protection level	IP-67(防爆外壳: Exd II BT4 IP67可选) IP-67 (Explosion-proof Shell: Exd II BT4 IP67 Optional)	特点 Characteristic	连线简单、流向切换、阻力小、动作稳定 Simple connection, flow direction switching, low resistance and stable movement
输入信号 Input signal	0-10, 1-5VDC/4-20mA(智能型) 0-10, 1-5VDC/4-20mA (Intelligent)		

主要外形连接尺寸 Main Outline Connection Size

公称直径 Nominal diameter	L	L1	H	D	D1	额定功率 Rated power	额定电流 Rated current
压力 Pressure	1.6/2.5	1.6/2.5	1.6/2.5	1.6/2.5	1.6/2.5		
15	150	155	256	95	65	15W	0.2A
20	160	155	260	105	75	15W	0.2A
25	180	155	266	115	86	15W	0.2A
32	200	155	270	140	100	15W	0.2A
40	220	208	312	150	110	25W	0.5A
50	240	208	325	165	125	25W	0.5A
65	260	208	336	185	145	25W	0.5A
80	280	256	365	200	160	50W	0.8A
100	320	256	400	215/230	180/190	90W	1.0A
125	380	256	420	245/270	210/220	90W	1.0A
150	440	288	440	280/300	240/250	120W	1.2A
200	550	288	470	335/360	295/310	150W	1.2A

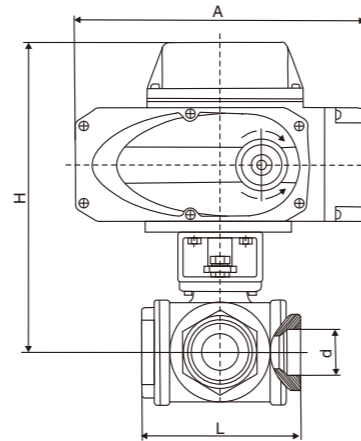


主要性能参数 Main Performance Parameters

所配置电动执行机构技术参数 Technical parameters of the configured electric actuator		阀体主要技术参数 Main technical parameters of valve body	
执行电源 Executive power supply	AC220V AC110V AC380V DC24V	阀体形式 type of body	二片式 三片式 Two-piece and three-piece
输出扭矩 Output torque	30N.M ~ 2000N.M	阀门型号 Valve type	Q611F/N/PPL/H Q661
动作范围 Range of motion	0~90° ±5°	连接方式 Connection mode	螺纹NPT、RC、BSPT及BW SW等 Thread NPT, RC, BSPT and BW SW etc
动作时间 Action time	15秒/30秒/60秒/100秒 15 seconds/30 seconds/60 seconds/100 seconds	公称直径 Nominal diameter	DN6~100mm
环境温度 Ambient temperature	-30℃ ~ 60℃	公称压力 Nominal pressure	1.6~6.4MPa 1000WOG
手动操作 Manual operation	附带手动操作 Incidental manual operation	阀体材质 Body material	铸钢、不锈钢304/316/316L等 Cast steel, stainless steel 304/316/316L, etc
执行限位 Execution limit	电气、机械二重限位 Electrical and mechanical double limit	球体材质 Ball Body material	不锈钢304/316/316L等 Stainless steel 304/316/316L etc
防护等级 Protection level	IP67	阀座密封 Seat Tightness	PTFE、PPL、金属材料密封等 PTFE, PPL, metal sealing, etc
输入信号 Input signal	4~20mA/1-5VDC	适用温度 Applicable temperature	PTFE ≤ 150℃、PPL ≤ 300℃、金属密封 ≤ 425℃ PTFE < 150 C, PPL < 300 C, metal seal < 425 C
任选功能 Optional function	开关型、触点型、开度信号、智能调节型 Switch type, contact type, opening signal, intelligent regulation type	适用介质 Applicable medium	水、蒸汽及油品等腐蚀性和非腐蚀性介质 Corrosive and non-corrosive media such as water, steam and oil

主要外形连接尺寸 Main Outline Connection Size

尺寸 Size(mm)		6	10	15	20	25	32	40	50	65	80	100		
三片式 Three piece	内螺纹 Internal thread	G	1/4"	3/8"	1/2"	3/4"	1"	1 1/4"	1 1/2"	2"	2 1/2"	3"	4"	
		D	11.6	12.7	15	20	25	32	38	50	64	78	98	
		L	70	70	70	79	87	101	111	132	186	206	240	
	对焊式 Butt welding	D	18	18	24	28	34	41	49	62	78	94	124	
		d	11.6	12.7	15.8	20	25	32	38	50	64	78	98	
		L	72	72	72	81	91	103	120	139	193	222	273	
	承插焊 Socket welding	D	11.6	12.7	15	20	25	32	38	50	64	78	98	
		D1	14.1	17.6	21.8	27.5	34.7	43	49	61.5	77	90	115.2	
		L	65	65	67	82	91	108	129	148	186	206	240	
	二片式 Two piece	内螺纹 Internal thread	A	9.5	9.5	9.5	11.1	12.7	14.3	15.89	17.4	26.9	28.8	34.5
			D	10	12	15	20	25	32	38	50	64	78	98
			L	62	62	62	72	85	100	107	120	160	178	216
执行器型号-推荐 Actuator Model - Recommendation		JYV-05	JYV-05	JYV-05	JYV-05	JYV-05	JYV-05	JYV-05	JYV-10	JYV-15	JYV-15	JYV-20		

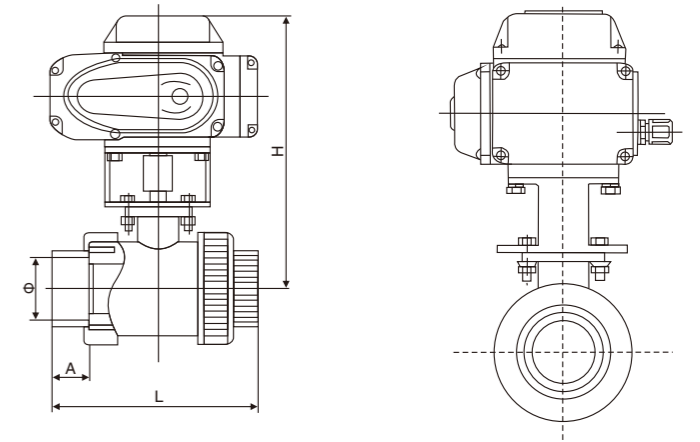


主要性能参数 Main Performance Parameters

所配置电动执行机构技术参数 Technical parameters of the configured electric actuator		阀体参数 Body parameters	
电源 Power Supply	AC110、220、380V/DC24、220V	公称口径 Nominal diameter	DN15~50mm
输出力矩 Output torque	50N·m~2000N·m	公称压力 Nominal pressure	PN1.6、2.5、4.0、6.4MPa
任选功能 Optional function	开关型、触点型、开度信号、智能型 Switch type、contact type、opening signal、intelligent type	阀轴材质 Valve shaft material	不锈钢 Stainless steel
动作范围 Range of motion	0~90° ±5°	阀体材质 Body material	球墨铸铁、碳钢、304/316/316L不锈钢 Ductile iron, carbon steel, 304/316/316l stainless steel
动作时间 Action time	15秒/30秒/60秒 15s/30s/60s	球体材质 Ball Body material	304/316/316L不锈钢 Stainless steel
环境温度 Ambient temperature	-30℃~60℃	阀座密封 Seat Tightness	PTFE、PPL、金属密封 Metal seal
手动操作 Manual operation	附带手柄操作 Accessory handle operation	温度 Temperature	PTFE≤180℃、 PPL≤350℃、金属密封 Metal seal≤450℃
限位 Limit	电气、机械二重限位 Electrical and mechanical double limit	适用介质 Applicable medium	水、石油、硝酸类、醋酸类、粘性流体、浆料、 强氧化性介质等 Water, petroleum, nitric acid, acetic acid, viscous fluid, slurry, strong oxidizing medium, etc
防护等级 Protection level	IP-67(防爆外壳: Exd II BT4IP67可选) IP-67 (Explosion-proof Shell: Exd II BT4IP67 Optional)	特点 Characteristic	连线简单、流向切换、阻力小、动作稳定 Simple connection, flow direction switching, low resistance and stable movement
输入信号 Input signal	0-10,1-5VDC/4-20mA(智能型) 0-10,1-5VDC/4-20mA (Intelligent)		

主要外形连接尺寸 Main Outline Connection Size

DN	A	H	L	D
15	157	200	79	15
20	157	207	88	20
25	157	237	108	25
32	157	242	124	32
40	208	277	135	40
50	208	308	164	50



主要性能参数 Main Performance Parameters

型号 Type number	Q911F-16S	密封材料 Sealing material	UPVC
公称口径 Nominal diameter	DN15-DN100	泄露量 Leak amount	零泄露(符合ANSIB16.5级标准) Zero leakage (ANSIB16.5 level standard)
动作范围 Range of motion	0~90° ±5°	阀体材质 Body material	UPVC
环境温度 Ambient temperature	-10℃~80℃	公称压力 Nominal pressure	PN1.0/1.6MPa
电源 Power supply	AC110V/AC220V和380V/DC24V	适用介质 Applicable medium	水, 油, 弱酸碱等 Water, oil, weak acid base, etc

主要外形连接尺寸 Main Outline Connection Size

规格 Specifications(mm)	配置 Configuration	Φ	A	L	H
DN25	JM-05	32	21.5	121	207
DN32	JM-05	40	26.5	137	211
DN40	JM-05	50	31	161	242
DN50	JM-05	63	37.5	195	289
DN65	JM-05	75	43.5	226	315
DN80	JM-15	90	51	289	344
DN100	JM-15	110	61	342	376